

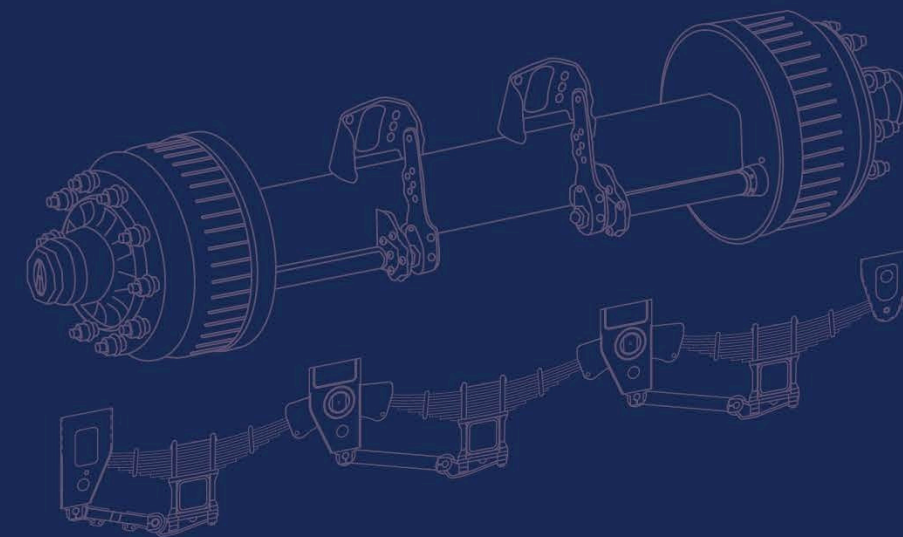
## After-sales responses time:

Upon receiving customer complaint about a Axle issue, our after-sales personnel will immediately record the details of issue, and communicate with customer, develop a solution within 24 hours, then go to the customers location to assist with the issue within 48 hours.



## INTEGRITY & QUALITY TECHNOLOGICAL INNOVATION

Axle Suspension Spare Parts



## PT. INDO TERUS JAYA AOTONG

### Office Add :

Taman Sari Raya Komplek Ruko 56 No. 56GA, RT.12/RW.4, Kel. Taman Sari, Kec. Taman Sari, Kota Jakarta Barat, Daerah Khusus Ibukota Jakarta, 11150

**Tel:** +62 21 6287 523 / +62 21 3888 3103

**Int'l Website:** [www.aotoaxle.cn](http://www.aotoaxle.cn)

**Email:** [axle@indotja.id](mailto:axle@indotja.id)

### Warehouse :

Komplek Martadinata Megah Blok B No 18, Jl. RE Martadinata No.100, RT.7/RW.7, Tj Priok, Kec. Tj. Priok, Kota Jakarta Utara, Daerah Khusus Ibukota Jakarta 14310



# COMPANY PROFILE

PT INDO TERUS JAYA AOTONG is engaged in commercial vehicle axle, suspension and spare parts. At the beginning of establishment, AOTONG development model with "Integrity and quality" as the core, and closely centering on market demand and user demand, established a seamless system of R&D, production, service market. At the same time, AOTONG has many technical and management talents, which make sure the high-quality produced efficiently. AOTONG AXLE sell well in China, southeast Asia, the Middle East, Africa, America all over the world.

Now AOTONG covers an area of 50,000 square meters of modern workshop has been put into use, introduce fully automatic industry 4.0 intelligent assembly line, annual output 400,000 pcs axles and 200,000 sets suspension, opened the road of high quality development and intelligent production and manufacturing as the core, high-end products as the destination, "Scientific and Technological Innovation, the pursuit of Excellence" as the development concept, "Integrity and Product Quality" as the cornerstone of development, innovation axle, suspension and spare parts technology, provide high quality, safer, more reliable products and services for market.



**50000** m<sup>2</sup>  
Total Area



**400,000** axle  
Annual Output

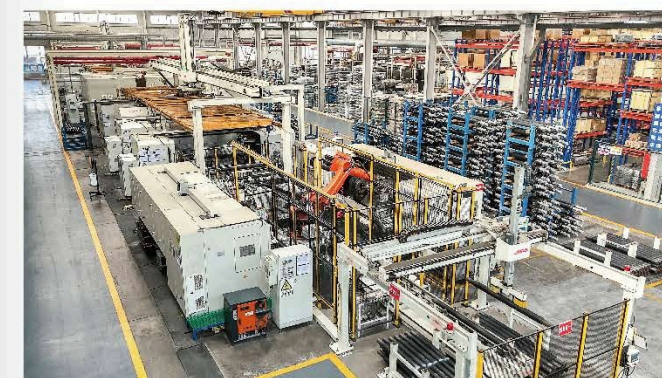


Global Market

## Industrial 4.0 Fully Automated Axle Production Line



Panoramic view of the axle production workshop

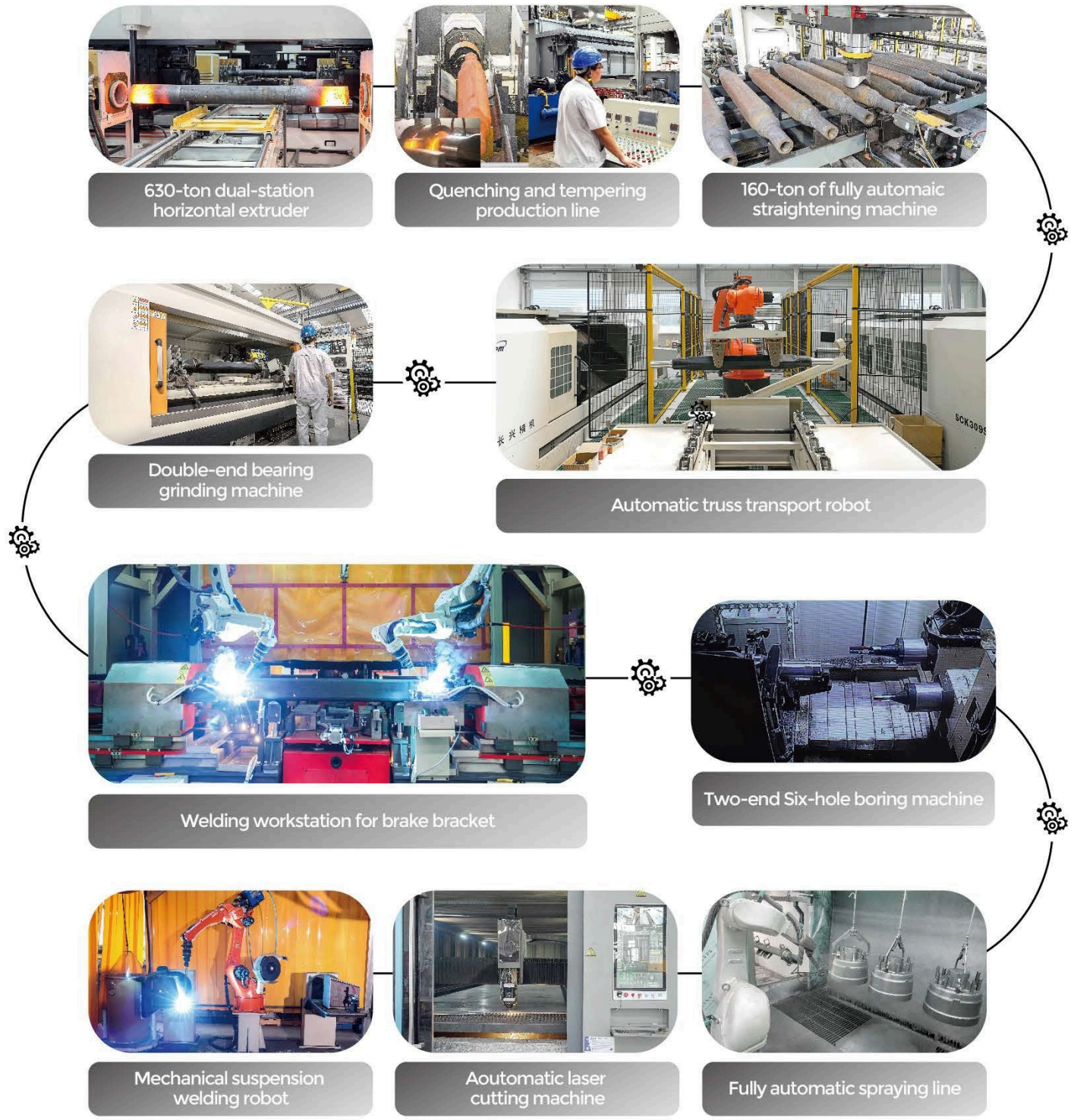


Machining production line



Extrusion production line

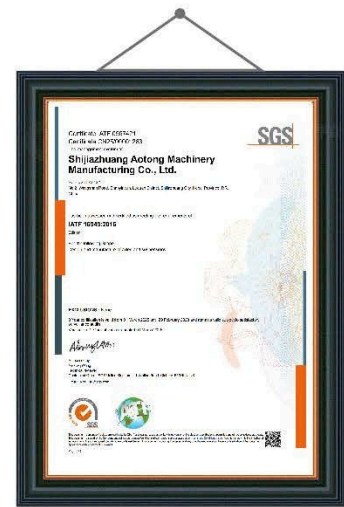
# Axle production process



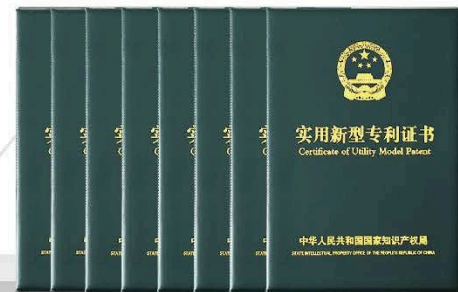
# Advanced production inspection equipment



# HIGH-QUALITY AXLE FOR YOUR DRIVING SAFETY.



ISO/TS16949 Certificate



Certificate of Utility Model Patent



High and New Technology Enterprise



ISO/TS16949 Certificate

## The warranty period of Axle and suspension

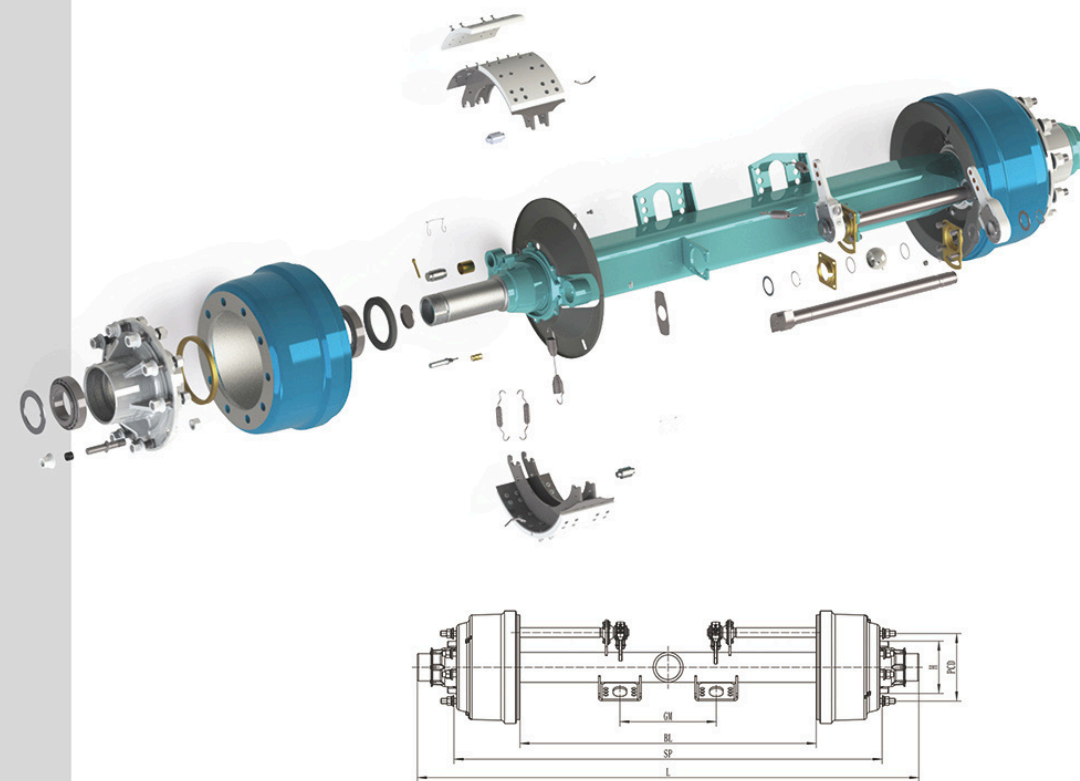
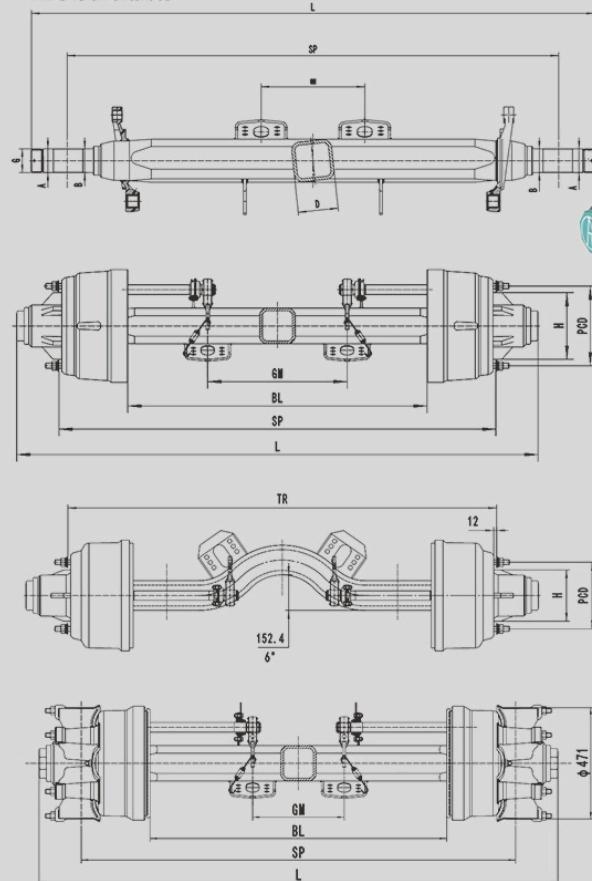
Remark: After-sales first come, first served

No.	Item	Warranty period	Warranty mileage	
1.	Axle beam	3 years	300,000 kilometers	
2.	Hub	1year	200,000 kilometers	
3.	Breake drum	Half a year	200,000 kilometers	
4.	Breake pads	1year	200,000 kilometers	
5.	Hanger	1year	200,000 kilometers	
6.	Bushing	Half a year	100,000 kilometers	
7.	Bearing	1year	200,000 kilometers	
8.	Casting parts	1year	100,000 kilometers	

\*Terms and conditions apply.

# America Axle | 美式车轴

- 可承载力: 13T-25T  
Capacity: 13T-25T
- 可根据要求定制轮距  
Special axle track is available on request
- 可装备ABS  
ABS is available

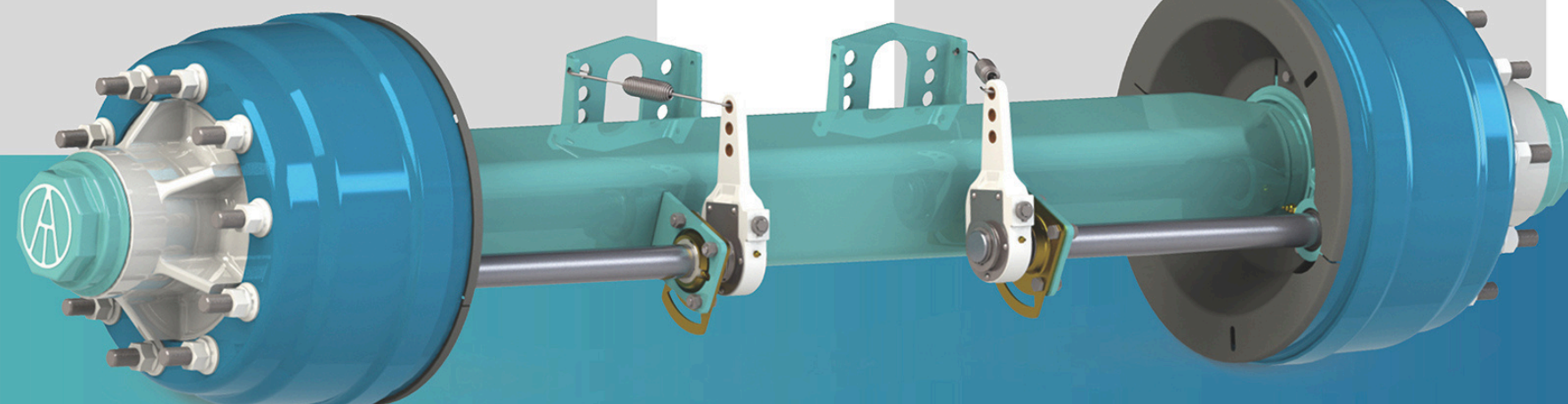


ATA11.5N11V59G524C1820T00-00000美式制动鼓内外置车轴技术参数表

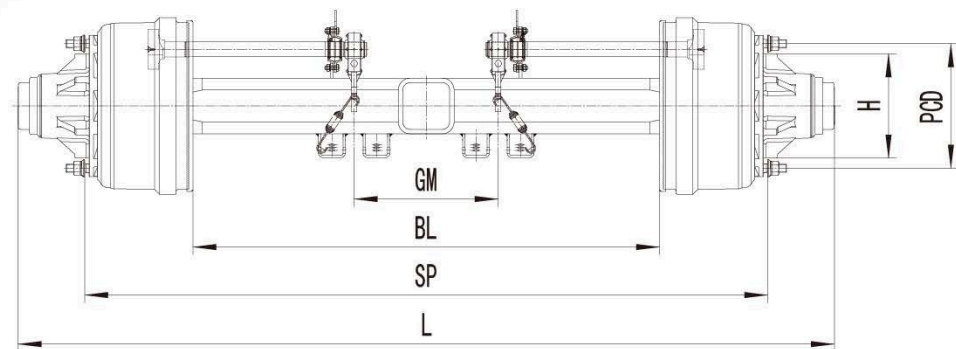
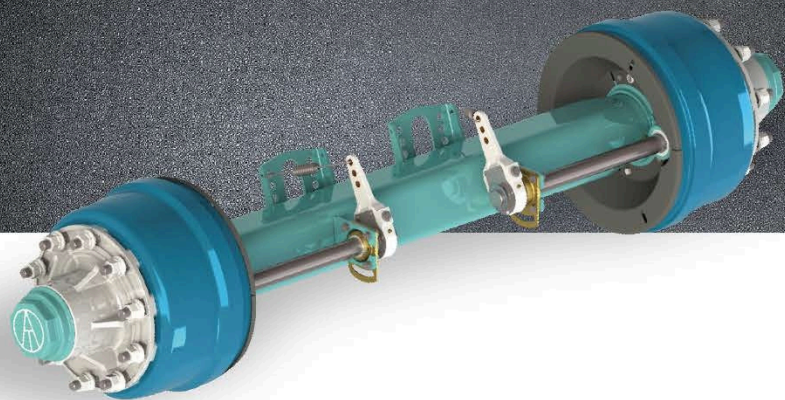
型号	额定载荷 (t)	轴承	轴径	轴长	轴套	轴套长度	轴套直径	轴套厚度	轴套材料	轴套重量	轴套备注
ATA11.5N11V59G524C1820T00-00000	13000	HR12145/10	120	1820	120	1820	120	10	45#	10.20	轴套重量
ATA11.5N11V59G524C1820T00-00000	13000	HR12145/10	120	1820	120	1820	120	10	45#	10.20	轴套重量
ATA11.5N11V59G524C1820T00-00000	22000	HR12145/10	120	1820	120	1820	120	10	45#	10.20	轴套重量

## 美式车轴分解图明细表 America Axle Parts List

序号 Item	名称 Name
1	轮毂盖 Hub cover
2	轮毂盖O型圈 O ring
3	轴头螺母 Axle nut
4	止动垫圈 Stop ring
5	制动鼓 Brake drum
6	圆锥轴承518445/10 Bearing
7	车轮螺母 Bolts
8	轮毂螺栓定位套 Locating bush
9	轮毂 Hub
10	车轮螺栓 Bolt
11	齿圈 Tooth ring
12	油封 Oil seal
13	轴端挡盖 Axle end check cover
14	开口销 Cotter pin
15	制动蹄支承销 Supporting pin
16	支承销衬套 Supporting pin bush
17	ABS支承座 ABS bracket
18	护线套 Protecting cushion
19	制动底板 Brake bracket
20	制动蹄滚柱保持架 Roller holder
21	制动蹄滚柱 Roller
22	制动蹄铁 Brake shoe
23	刹车片 Brake pad
24	铆钉 Rivet
25	弹簧钩销 Spring hook pin
26	防尘盖 Dust cover
27	轻型弹簧垫圈 Spring ring
28	六角头螺栓 Hex bolt
29	气室座 Brake chamber bracket
30	整体轴 Axle beam
31	传感器感应头 Sensor head
32	弹性衬套 Bush
33	制动蹄复位拉簧 Return spring
34	制动蹄拉簧 Tension spring
35	接头式压注油杯 Oil nipple
36	球面轴承支承板 Spherical bearing support
37	调整臂拉簧 Slack adjustor spring
38	平垫1 Flat cushion 1
39	小油封 Small oil seal
40	双金属衬套 Metal bush
41	平垫2 Flat chshion 2
42	轴用弹性挡圈A型 A check ring
43	球面轴承座2 Spherical bearing seat 2
44	O型密封圈 O seal ring
45	直通式压注油杯 Oil nipple
46	球面轴承 Spherical bearing
47	六角螺母 Hex nut
48	轻型弹簧垫圈 Spring ring
49	六角头螺栓 Hex bolt
50	球面轴承座1 Spherical bearing seat 1
51	调整臂 Slack adjuster
52	平垫3 Flat ring 3
53	轴用弹性挡圈A型 A check ring
54	凸轮轴(左/右) S cam shaft(left/right)



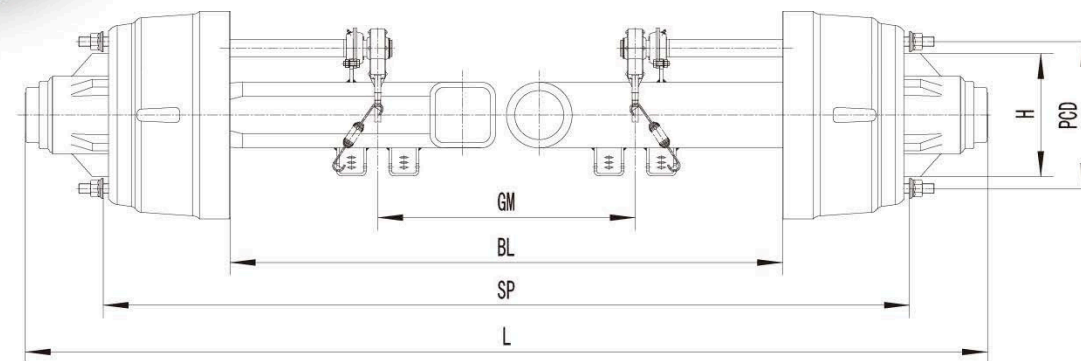
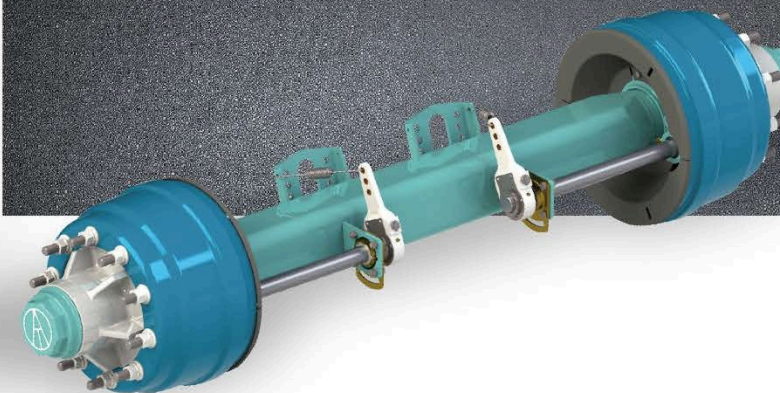
## American Inboard Drum Axle



### ◆ American Inboard Drum Axle Specification

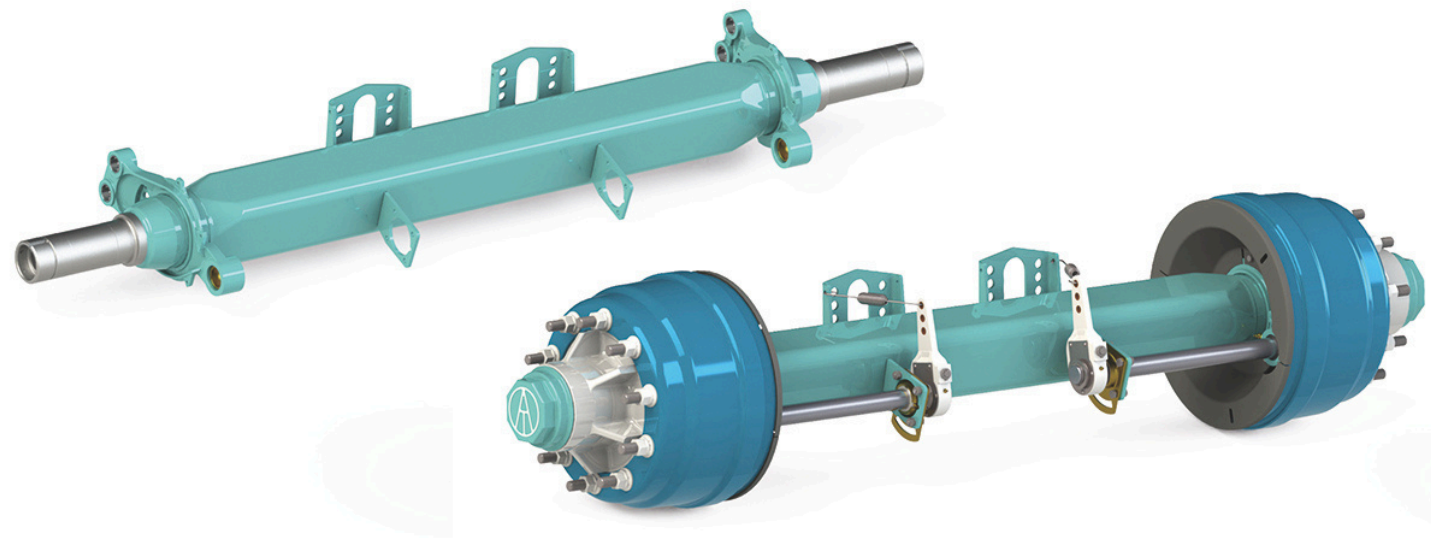
Item No.	Capacity (Kg)	Bearing	Total Length (mm)	Track (mm)	Brake Drum Distance	Center Distance of Brake Chamber (mm)	Axle Beam (mm)	Brake Size(mm)	Spline No.	Wheel Fixing	Studs (mm)	Recommend Wheel Rim
ATM08TY1-00	8000	33213 33215	2344	2050	1535	505	Φ127×12	Φ419×150	1.625"-37	Φ335×281		7.50V-20
AT13T1-00	13000	HM518445/10	2198	1840	1256	388	□150×12	Φ419×180	1.625"-37	Φ335×281		7.50V-20
AT13TYNB1-00	13000	HM518445/10	2238	1880	1230	388	Φ127×19	Φ419×220	1.625"-37	Φ335×281		7.50V-20
AT14T1-00	13000	HM518445/10	2198	1840	1190	348	□150×12	Φ419×220	1.625"-37	Φ335×281		7.50V-20
AT13T1-00(BSF)	13000	HM518445/10	2198	1840	1256	388	□150×12	Φ419×180	1.625"-37	Φ335×281		7.50V-20
AT13T1-00(JIS)	13000	HM518445/10	2198	1840	1256	388	□150×12	Φ419×180	1.625"-37	Φ285.75×221		7.50V-20
AT13TNB1-00	13000	HM518445/10	2198	1840	1256	388	□150×12	Φ419×180	1.625"-37	Φ285.75×221		7.50V-20
AT13TNB2-00	13000	HM518445/10	2198	1840	1167	348	□150×12	Φ419×220	1.625"-37	Φ285.75×221		7.50V-20
AT15T1-00	15000	HM518445/10 HM220149/10	2218	1850	1272	396	□150×16	Φ419×180	1.625"-37	Φ335×281		8.00V-20
AT16T1-00	16000	HM518445/10 HM220149/10	2218	1850	1196	354	□150×16	Φ419×220	1.625"-37	Φ335×281		8.00V-20
AT20T1-00	20000	HM518445/10 32222	2260	1850	1188	346	□150×18	Φ419×220	1.625"-37	Φ335×281		8.50V-20

## American Outboard Drum Axle



### ◆ American Outboard Drum Axle Specification

Item No.	Capacity (Kg)	Bearing	Total Length (mm)	Track (mm)	Brake Drum Distance	Center Distance of Brake Chamber (mm)	Axle Beam (mm)	Brake Size(mm)	Spline No.	Wheel Fixing	Studs (mm)	Recommend Wheel Rim
AT13TW1-00	13000	HM518445/10	2198	1840	1280	388	□150	Φ419×180	1.625"-37	Φ335×281	10-M22×1.5ISO	7.50V-20
AT13TWB1-00	13000	HM518445/10	2198	1840	1260	388	□150	Φ419×180	1.625"-37	Φ335×281	10-M22×1.5ISO	7.50V-20
AT13TWB1-00 (BSF)	13000	HM518445/10	2238	1880	1300	428	□150	Φ419×180	1.625"-37	Φ335×281	10-7/8"-11BSF	7.50V-20
AT13TYWB2-00 (JIS)	13000	HM518445/10	2198	1840	1260	388	□150	Φ419×180	1.625"-37	Φ285×221	8-M20×1.5JIS	7.50V-20
AT13TWB3-00	13000	HM518445/10	2198	1840	1260	388	□150	Φ419×180	1.625"-37	Φ285.75×221	10-M22×1.5ISO	7.50V-20
AT13TYWB1-00	13000	HM518445/10	2198	1840	1260	388	Φ127	Φ419×180	1.625"-37	Φ335×281	10-M22×1.5ISO	7.50V-20
AT13TYWB2-00 (JIS)	13000	HM518445/10	2198	1840	1260	388	Φ127	Φ419×180	1.625"-37	Φ285×221	8-M20×1.5JIS	7.50V-20
AT13TYWB3-00	13000	HM518445/10	2198	1840	1260	388	Φ127	Φ419×180	1.625"-37	Φ285.75×221	10-M22×1.5ISO	7.50V-20
AT16TW1-00	16000	HM518445/10 HM220149/10	2218	1850	1198	354	□150	Φ419×220	1.625"-37	Φ335×281	10-M22×1.5ISO	8.00V-20
AT16TWB1-00	16000	HM518445/10 HM220149/10	2218	1850	1198	354	□150	Φ419×220	1.625"-37	Φ335×281	10-M22×1.5ISO	8.00V-20

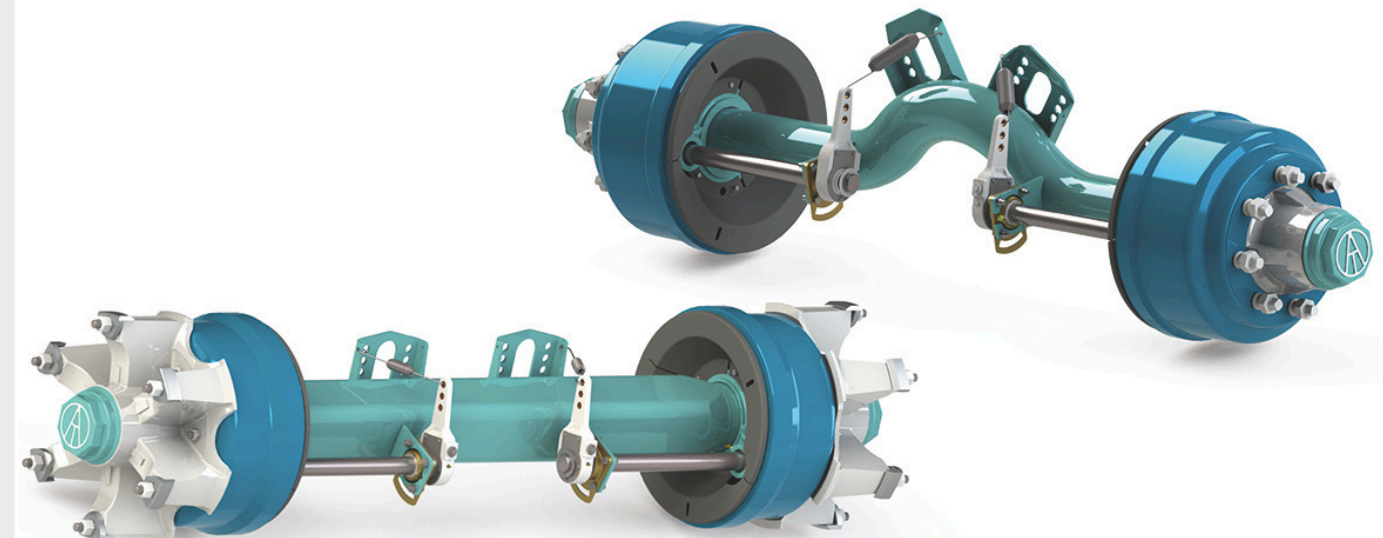


美式光轴技术参数表 America Nude Axle Specification

型号	额定载荷 (Kg)	轴承位	最大外形长度	轮距	轴头螺纹	轴管截面	制动气室间距
Item No.	Capacity (Kg)	A/B	L	SP	C	D	GM
AT10T1-01	10000	Ø88.9/Ø88.9	2112	1840	3.48"-12UNS	□150	388
AT13T1-01	13000	Ø88.9/Ø88.9	2112	1840	3.48"-12UNS	□150	388
AT16T1-01	16000	Ø88.9/Ø99.974	2128	1850	3.48"-12UNS	□150	354
AT20T1-01	20000	Ø88.9/Ø110	2167	1850	3.48"-12UNS	□150	356
AT25T1-01	250000	Φ110/Φ110	2182	1850	M95×2	□150	340

美式制动鼓外置车轴 America Outboard Drum Axle Specification

型号	额定载荷 (Kg)	轴承	L	SP	BL	GM	轴管规格	制动器规格	凸轮轴齿数	P.C.D×H	连接螺栓 (mm)	使用轮辋
Item No.	Capacity (Kg)	Bearing	Total Length (mm)	Track (mm)	Brake Drum Distance	Center Distance of Brake Chamber (mm)	Axle Beam (mm)	Brake Size (mm)	Cam Shaft	Wheel Fixing	Studs (mm)	Recommend Wheel Rim
AT13TW1-00	13000	HMS18445/10	2198	1840	1280	388	□150	Ø419×180	1.625°-37	Ø335×281	10-M22×1.51S0	7.50V-20
AT13TWB1-00	13000	HMS18445/10	2198	1840	1260	388	□150	Ø419×180	1.625°-37	Ø335×281	10-M22×1.51S0	7.50V-20
AT13TWB1-00 (BSF)	13000	HMS18445/10	2238	1880	1300	428	□150	Ø419×180	1.625°-37	Ø335×281	10-7/8"-11BSF	7.50V-20
AT13TWB2-00 (JIS)	13000	HMS18445/10	2198	1840	1260	388	□150	Ø419×180	1.625°-37	Ø285×221	8-M20×1.5JIS	7.50V-20
AT13TWB3-00	13000	HMS18445/10	2198	1840	1260	388	□150	Ø419×180	1.625°-37	Ø285.75×221	10-M22×1.51S0	7.50V-20
AT13TYWB1-00	13000	HMS18445/10	2198	1840	1260	388	Ø127	Ø419×180	1.625°-37	Ø335×281	10-M22×1.51S0	7.50V-20
AT13TYWB2-00 (JIS)	13000	HMS18445/10	2198	1840	1260	388	Ø127	Ø419×180	1.625°-37	Ø285×221	8-M20×1.5JIS	7.50V-20
AT13TYWB3-00	13000	HMS18445/10	2198	1840	1260	388	Ø127	Ø419×180	1.625°-37	Ø285.75×221	10-M22×1.51S0	7.50V-20
AT16TW1-00	16000	HMS18445/10 HM220149/10	2218	1850	1198	354	□150	Ø419×220	1.625°-37	Ø335×281	10-M22×1.51S0	8.00V-20
AT16TWB1-00	16000	HMS18445/10 HM220149/10	2218	1850	1198	354	□150	Ø419×220	1.625°-37	Ø335×281	10-M22×1.51S0	8.00V-20



美式五辐与六辐轮车轴 America Five Spoke and Six Spoke Axle Specification

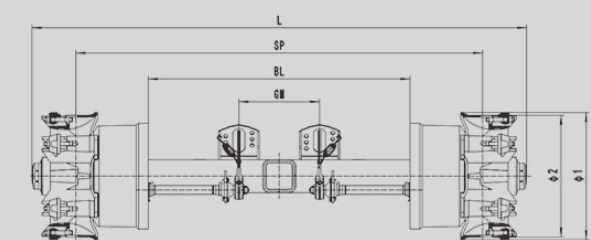
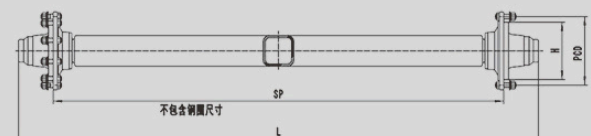
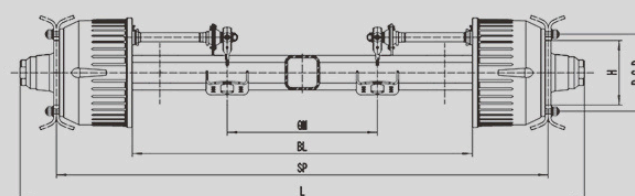
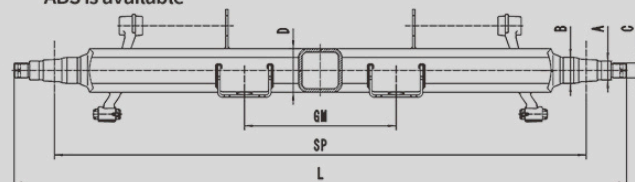
型号	额定载荷 (Kg)	轴承	L	SP	BL	GM	轴管规格	制动器规格	凸轮轴齿数	P.C.D×H	连接螺栓 (mm)	使用轮辋
Item No.	Capacity (Kg)	Bearing	Total Length (mm)	Track (mm)	Brake Drum Distance	Center Distance of Brake Chamber (mm)	Axle Beam (mm)	Brake Size (mm)	Cam Shaft	Wheel Fixing	Studs (mm)	Recommend Wheel Rim
ATM13TFS2001-00	13000	HMS18445/10	2198	1840	1535	388	□150×12	Ø419×180	1.625°-37	Ø285.75×241	6-5/8"	20"×6 SPOKE
ATM11TYS2001-00	11000	HMS18445/10	2198	1840	1535	388	Ø127×17	Ø419×180	1.625°-37	Ø285.75×241	6-5/8"	20"×6 SPOKE
ATM11TKS2001-00	11000	HMS18445/10	2198	1840	1535	388	□127×14	Ø419×180	1.625°-37	Ø285.75×241	6-5/8"	20"×6 SPOKE
ATM13TFF2001-00	13000	HMS18445/10	2198	1840	1535	388	□150×12	Ø419×180	1.625°-37	Ø285.75×241	5-3/4"	20"×5 SPOKE
ATM11TYF2001-00	11000	HMS18445/10	2198	1840	1535	388	Ø127×17	Ø419×180	1.625°-37	Ø285.75×241	5-3/4"	20"×5 SPOKE
ATM11TKF2001-00	11000	HMS18445/10	2198	1840	1535	388	□127×14	Ø419×180	1.625°-37	Ø285.75×241	5-3/4"	20"×5 SPOKE

美式弯轴技术参数表 America Bent Axle Specification

型号	额定载荷 (Kg)	轴承	TR	轴管规格	制动器规格	P.C.D×H	连接螺栓 (mm)	使用轮辋	备注
Item No.	Capacity (Kg)	Bearing	Track (mm)	Axle Beam (mm)	Brake Size (mm)	Wheel Fixing	Studs (mm)	Recommend Wheel Rim	Remarks
AT11SYWA1	11000	HMS18445/10	1840	Ø127	Ø419×180	Ø335×281	10-M22×1.51S0	7.50V-20	6"弯轴
AT11SYWB1	11000	HMS18445/10	1840	Ø127	Ø419×180	Ø285.75×221	10-M22×1.51S0	7.50V-20	6"弯轴

# Germany Axle | 德式车轴

- 可承载力: 12T-18T  
Capacity: 12T-18T
- 可根据要求定制轮距  
Special axle track is available on request
- 可装备ABS  
ABS is available



## 德式车轴分解图明细表 Germany Axle Parts List

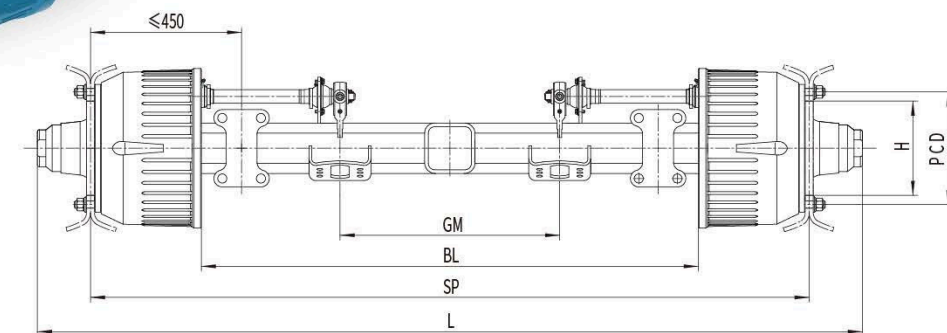
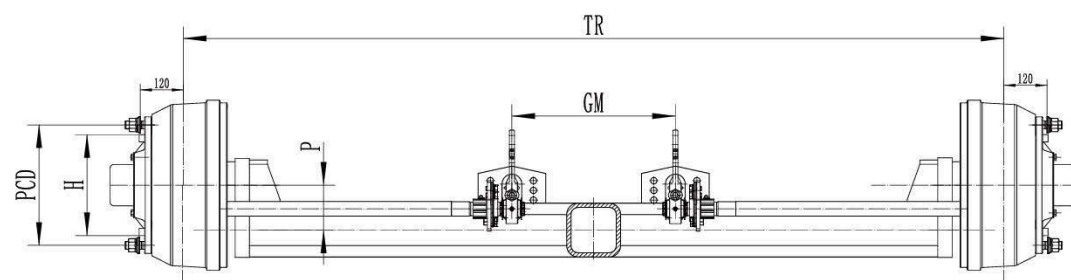
序号 Item No.	名称 Name
1	轮毂盖 Hub cover
2	轴头螺母 Axle nut
3	止动垫圈 Check washer
4	圆锥轴承 Bearing
5	轮毂 Hub
6	车轮螺母 Bolts assembly
7	轮毂螺栓定位套 Locating bush
8	轮毂螺栓定位销 Locating pin
9	车轮螺栓 Bolt
10	自锁螺母 Lock nut
11	轴承挡油环 Oil retainer
12	圆锥轴承 Bearing
13	制动鼓 Brake drum
14	油封座组件 Oil seal seat
15	开口销 Split pin
16	支承销衬套 Bush
17	制动蹄支承销 Supporting pin
18	制动蹄拉簧1 Tension spring 1
19	刹车片 Brake pad
20	制动蹄铁 Brake shoe
21	铆钉 Rivet
22	滚轮轴挡圈 Check ring
23	滚轮轴 Roller shaft
24	滚轮轴铜套 Roller bush
25	滚轮 Roller
26	制动蹄组件 Brake shoe kits
27	制动蹄拉簧2 Tension spring 2
28	制动蹄复位拉簧 Return spring
29	45° 接头式压注油杯 Oil nipple
30	防尘盖组件(L) Dust cover (L)
31	防尘盖组件(R) Dust cover (R)
32	自锁螺母2 Lock nut 2
33	胶塞 Rubber plug
34	轴体总成 Axle body
35	调整臂回位拉簧 Slack adjuster spring
36	锁紧螺母 Lock nut
37	轴端挡盖 Shaft end cover
38	调整臂 Slack adjuster
39	扁卡簧 Clamp spring
40	防尘盖3 Dust cover 3
41	自锁螺母1 Lock nut 1
42	球面轴承座2 Spherical bearing seat
43	O型胶圈 O ring
44	球面轴承 Spherical bearing
45	直通式压注油杯 Oil nipple
46	油杯盖1 Oil nipple cover
47	球面轴承座1 Spherical bearing seat 1
48	防尘盖2 Dust cover 2
49	锁紧片 Lock sheet
50	防尘盖1 Dust cover 1
51	轴用弹性挡圈 Axle check ring
52	挡圈 Check ring
53	双金属铜套 Brass bush
54	轴端挡圈 Axle end check ring
55	凸轮轴(左/右) S cam shaft(left/right)



## Aotong full drop axle



## Germany Drum Axle

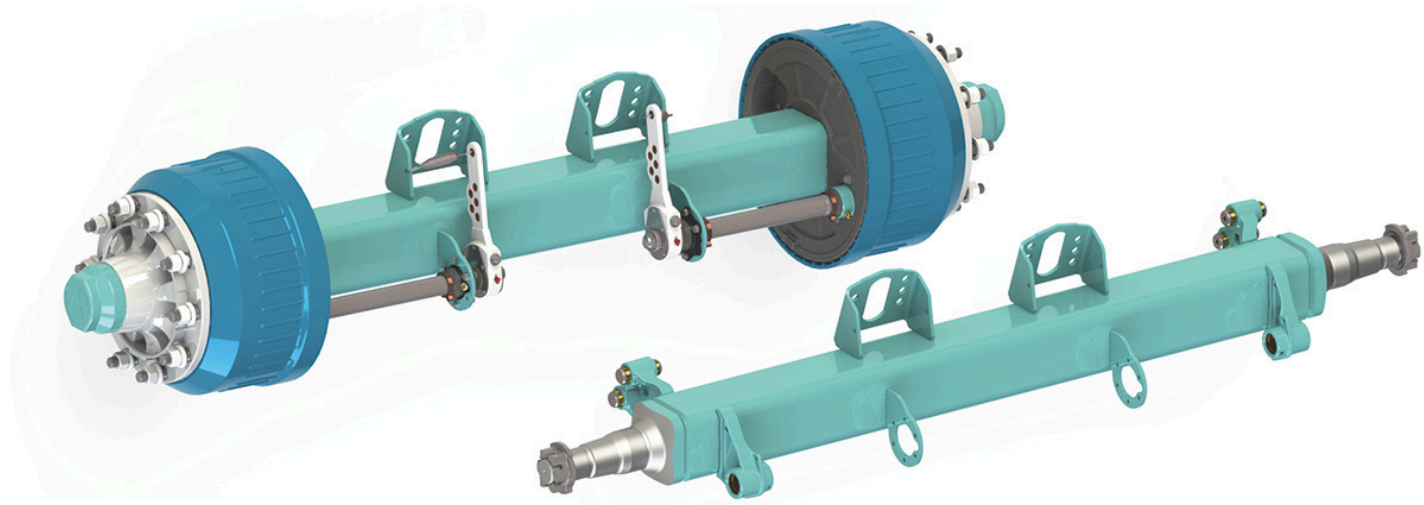


### ◆Aotong full drop axle specification

Item No.	105Km/h Max. Capacity (Kg)	Bearing	TR		P (mm)	GM (mm)	Axle Tube (mm)	Brake Size (mm)	P.C.D×H		Remarks	
			Track (mm)						Wheel Rim Fixing	Studs (mm)		Recommend Wheel Rim
AT12TAS-125-2284	10000	HM518445/10	2284		125	455	150×150	Φ420×150	Φ335×281	10-M22×1.5ISO	22.5×11.75	
AT12TAS-Y125-2284	10000	HM518445/10	2284		125	455	Φ27	Φ420×150	Φ335×281	10-M22×1.5ISO	22.5×11.75	
AT12TAS-125-2340	10000	HM518445/10	2340		125	511	150×150	Φ420×150	Φ335×281	10-M22×1.5ISO	22.5×11.75	

### ◆Germany Drum Axle Specification

Item No.	Capacity (Kg)	Bearing	Total Length (mm)	Track (mm)	Brake Drum Distance	Center Distance of Brake Chamber (mm)	Axle Beam (mm)	Brake Size (mm)	Wheel Fixing	Studs (mm)	Recommend Wheel Rim
AT12T180-00	12000	33213 33118	2156	1840	1271	425	□150	Φ420×180	Φ335×281	10-M22×1.5ISO	7.50V-20
AT12T180Y-00	12000	33213 33118	2156	1840	1271	425	Φ127	Φ420×180	Φ335×281	10-M22×1.5ISO	7.50V-20
AT12T180D-00	12000	33213 33118	2380	2040	1495	541	□150	Φ420×180	Φ335×281	10-M22×1.5ISO	22.5×11.75 Single Tyre
AT12T200-00	12000	33213 33118	2156	1840	1180	357	□150	Φ420×200	Φ335×281	10-M22×1.5ISO	7.50V-20
AT14T180-00	14000	33215 32219	2186	1840	1271	425	□150	Φ420×180	Φ335×281	10-M22×1.5ISO	8.00V-20
AT14T200-00	14000	33215 32219	2186	1840	1180	357	□150	Φ420×200	Φ335×281	10-M22×1.5ISO	8.00V-20
AT14T220-00	14000	33215 32219	2186	1840	1180	377	□150	Φ420×220	Φ335×281	10-M22×1.5ISO	8.00V-20
AT16T200-00	16000	32314 32222	2240	1850	1184	357	□150	Φ420×200	Φ335×281	10-M22×1.5ISO	8.50V-20
AT16T220-00	16000	32314 32222	2240	1850	1184	379	□150	Φ420×220	Φ335×281	10-M22×1.5ISO	8.50V-20
AT18T200-00	18000	32314 32222	2240	1850	1184	357	□150	Φ420×200	Φ335×281	10-M22×1.5ISO	8.50V-20
AT18T220-00	18000	32314 32222	2240	1850	1184	379	□150	Φ420×220	Φ335×281	10-M22×1.5ISO	8.50V-20

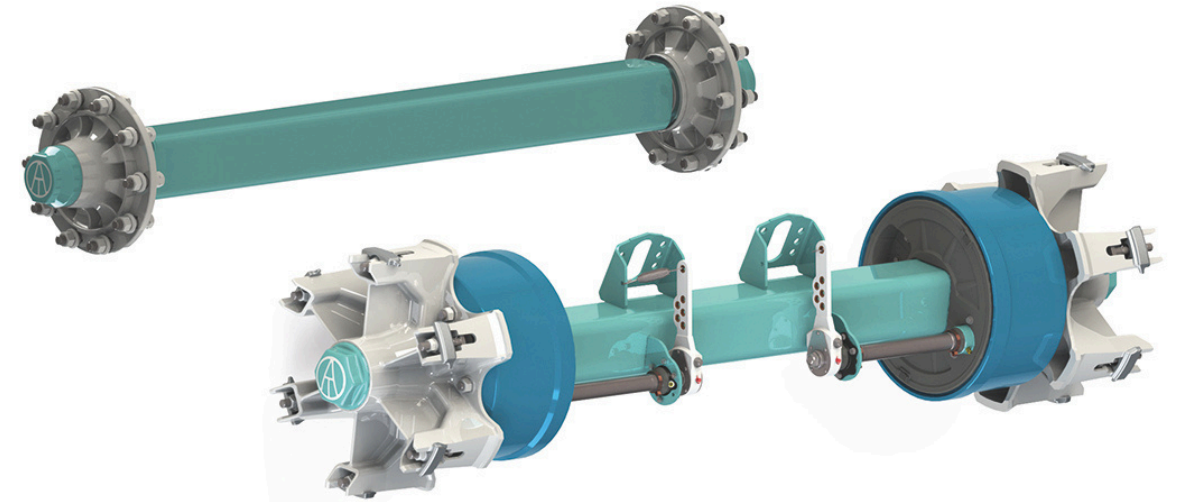


德式光轴技术参数表 Germany Nude Axle Specification

型号 Item No.	额定载荷 (Kg) Capacity (Kg)	轴承位 A/B	最大外形长度 L	轮距 SP	轴头螺纹 C	轴管截面 D	制动气室间距 GM
AT12T180-01	12000	Ø65/Ø90	2119	1840	M52×2	□150	425
AT12T180Y-01	12000	Ø65/Ø90	2119	1840	M52×2	Ø127×16	425
AT12T200-01	12000	Ø65/Ø90	2119	1840	M52×2	□150	357
AT12TS24-01	12000	Ø65/Ø90	2101	1840	M52×2	□150	356
AT14T200-01	14000	Ø75/Ø95	2152	1840	M60×2	□150	357
AT14TS24-01	14000	Ø75/Ø95	2152	1840	M60×2	□150	357
AT16T200-01	16000	Ø70/Ø110	2197	1850	M60×2	□150	357
AT16T220-01	16000	Ø70/Ø110	2197	1850	M60×2	□150	379
AT16TS24-01	16000	Ø70/Ø110	2207	1850	M60×2	□150	367
AT18T200-01	18000	Ø70/Ø110	2197	1850	M60×2	□150	357

德式车轴技术参数表 Germany Drum Axle Specification

型号 Item No.	额定载荷 (Kg) Capacity (Kg)	轴承 Bearing	L 最大外形长度 Total Length (mm)	SP 轮距 (含钢圈) Track (mm)	BL 制动鼓间距 Brake Drum Distance	GM 制动气室间距 Center Distance of Brake Chamber (mm)	轴管规格 Axle Beam (mm)	制动器规格 Brake Size (mm)	P. C. D×H 轮辋配合尺寸 Wheel Fixing	连接螺栓 Studs (mm)	使用轮辋 Recommend Wheel Rim
AT12T180-00	12000	33213 33118	2156	1840	1271	425	□150	Ø420×180	Ø335×281	10-M22×1.5IS0	7.50V-20
AT12T180Y-00	12000	33213 33118	2156	1840	1271	425	Ø127	Ø420×180	Ø335×281	10-M22×1.5IS0	7.50V-20
AT12T180D-00	12000	33213 33118	2380	2040	1495	541	□150	Ø420×180	Ø335×281	10-M22×1.5IS0	22.5×11.75 单胎 Single Tyre
AT12T200-00	12000	33213 33118	2156	1840	1180	357	□150	Ø420×200	Ø335×281	10-M22×1.5IS0	7.50V-20
AT14T180-00	14000	33215 32219	2186	1840	1271	425	□150	Ø420×180	Ø335×281	10-M22×1.5IS0	8.00V-20
AT14T200-00	14000	33215 32219	2186	1840	1180	377	□150	Ø420×220	Ø335×281	10-M22×1.5IS0	8.00V-20
AT14T220-00	14000	33215 32219	2186	1840	1180	377	□150	Ø420×220	Ø335×281	10-M22×1.5IS0	8.00V-20
AT16T200-00	16000	32314 32222	2240	1850	1184	357	□150	Ø420×200	Ø335×281	10-M22×1.5IS0	8.50V-20
AT16T220-00	16000	32314 32222	2240	1850	1184	379	□150	Ø420×220	Ø335×281	10-M22×1.5IS0	8.50V-20
AT18T200-00	18000	32314 32222	2240	1850	1184	357	□150	Ø420×200	Ø335×281	10-M22×1.5IS0	8.50V-20
AT18T220-00	18000	32314 32222	2240	1850	1184	379	□150	Ø420×220	Ø335×281	10-M22×1.5IS0	8.50V-20



德式六幅轮车轴技术参数表 Germany Six Spoke Axle Specification

型号 Item No.	额定载荷 (Kg) Capacity (Kg)	轴承 Bearing	L 最大外形长度 Total Length (mm)	SP 轮距 Track (mm)	BL 制动鼓间距 Brake Drum Distance	GM 制动气室间距 Center Distance of Brake Chamber (mm)	轴管规格 Axle Beam (mm)	制动器规格 Brake Size (mm)	Ø1 最大外形直径 Max. Dia.	Ø2 最大外形直径 Max. Dia.	连接螺栓 Studs (mm)	使用轮辋 Recommend Wheel Rim
AT12TS24-00	12000	33213 33118	2138	1840	1180	356	□150	Ø420×200	Ø579	Ø553.5	6-M20×2	8.50V-24 147-24
AT14TS24-00	14000	33215 32219	2156	1840	1180	357	□150	Ø420×200	Ø579	Ø553.5	6-M20×2	8.50V-24 147-24
AT16TS24-00	16000	32314 32222	2250	1850	1190	367	□150	Ø420×200	Ø579	Ø553.5	6-M20×2	8.50V-24 147-24
AT18TS24-00	18000	32314 32222	2250	1850	1190	367	□150	Ø420×200	Ø579	Ø553.5	6-M20×2	8.50V-24 147-24
AT16TS20-00	16000	32314 32222	2258	1850	1199	372	□150	Ø420×200	Ø477	Ø451.5	6-M20×2	8.50V-20 130-20

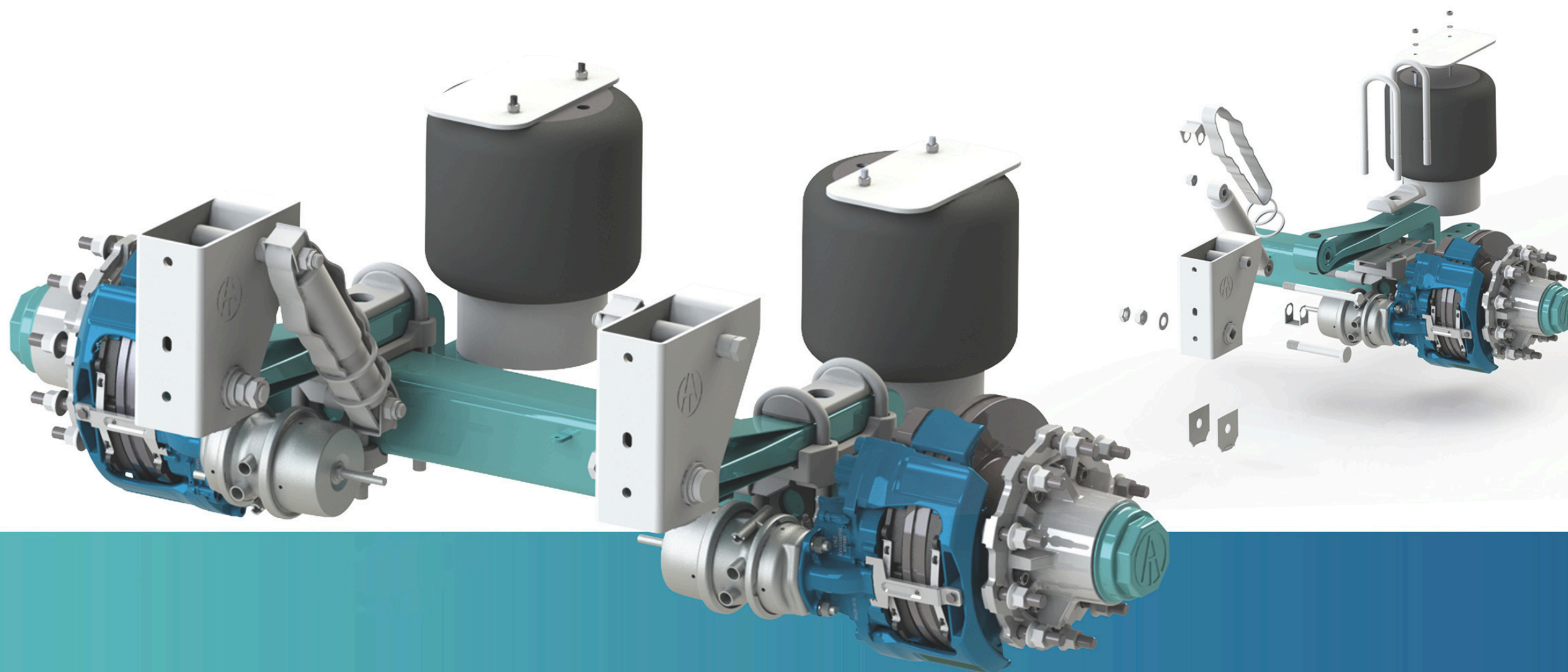
德式无制动车轴技术参数表 Germany Axle Without Brake System Specification

型号 Item No.	额定载荷 (Kg) Capacity (Kg)	轴承 Bearing	L 最大外形长度 Total Length (mm)	SP 轮距 (不含钢圈) Track (mm)	轴管规格 Axle Beam (mm)	P. C. D×H 轮辋配合尺寸 Wheel Fixing	连接螺栓 (mm) Studs (mm)	使用轮辋 Recommend Wheel Rim
AT12T-WZD-2200	12000	33213 33118	2540	2200	□150	Ø335×281	10-M22×1.5IS0	7.50V-20
AT12T-WZD-2494	12000	33213 33118	2834	2494	□150	Ø335×281	10-M22×1.5IS0	7.50V-20
AT14T-WZD-1840	14000	33215 32219	2210	1840	□150	Ø335×281	10-M22×1.5IS0	7.50V-20

## Air Suspension Subassembly | 空气悬挂

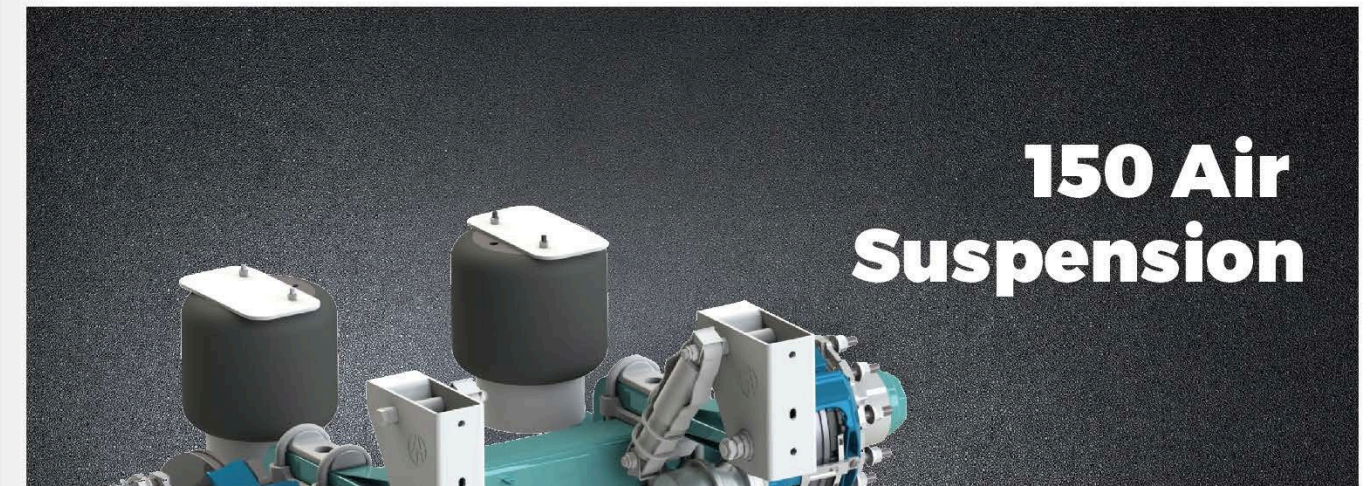
## Air Suspension Subassembly Features | 空气悬挂特点

- 导向臂有效地掌控车轴的运行 增强了车辆运行的稳定性  
The Spring beam effectively controls the operation of axle enhances the stability of vehicle
- 配合钢套/橡胶/轴套的衬套设计，能有效地减振  
With the bush design of steel sleeve / rubber / shaft sleeve, it can effectively reduce vibration

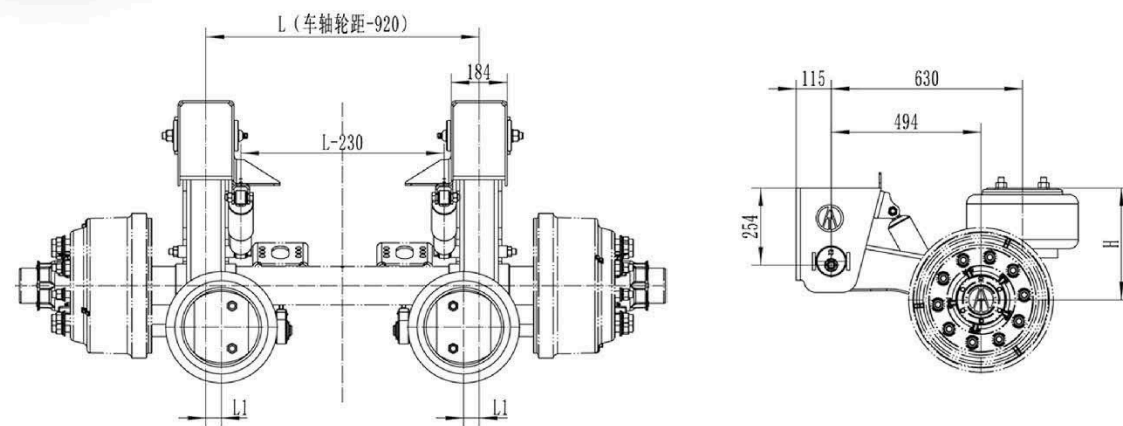




# American Air Suspension



# 150 Air Suspension



### ◆American Air Suspension Specification

Item No.	H(mm)	L1(mm)	Wheel Base	Air Bag	Capacity (T)
ATK4N254NN005M-11/381-AR5	381	63.5	1220-1360	φ343	11000
ATK4N254NN005M-11/406-AR5	406	63.5	1220-1360	φ343	11000
ATK4N254NN005M-13/381-AR5	381	75	1220-1360	φ381	13000
ATK4N254NN005M-13/406-AR5	406	75	1220-1360	φ381	13000

### ◆Air Suspension Specification

Item No.	Mounting Height Range Multiple Axle	Axle Lifting	Capacity (mm)	Axle Beam (mm)	Leaf Spring (mm)	Axle	Track (mm)	Suspension Center Distance (mm)	Abutmen Hole Height (mm)	Air Bag Center Distance (mm)	Rear bracket Height (mm)	Air Bag	Wheel Rim	Note
ATKBAZ13S-235QA2-00	375-409	YES	13000	□150	100×56	AT10QP1-00/ABS	1840	900	235	760	8	φ330	R22.5	普挂车
ATKBAZ13-235QA2-00	375-409	NO	13000	□150	100×56	AT10QP1-00/ABS	1840	900	235	760	8	φ330	R22.5	普挂车
ATKBAZ13S-268QA2-00	410-439	YES	13000	□150	100×56	AT10QP1-00/ABS	1840	900	268	760	8	φ330	R22.5	普挂车
ATKBAZ13-268QA2-00	410-439	NO	13000	□150	100×56	AT10QP1-00/ABS	1840	900	268	760	8	φ330	R22.5	普挂车
ATKBAZ13S-315QA2-00	460-485	YES	13000	□150	100×56	AT10QP1-00/ABS	1840	900	315	760	50	φ330	R22.5	普挂车
ATKBAZ13-315QA2-00	460-485	NO	13000	□150	100×56	AT10QP1-00/ABS	1840	900	315	760	50	φ330	R22.5	普挂车
ATKBAZ13S-340QA2-00	490-509	YES	13000	□150	100×56	AT10QP1-00/ABS	1840	900	340	760	80	φ330	R22.5	普挂车
ATKBAZ13-340QA2-00	490-509	NO	13000	□150	100×56	AT10QP1-00/ABS	1840	900	340	760	80	φ330	R22.5	普挂车
ATKBAZ13S-360QA2-00	510-534	YES	13000	□150	100×56	AT10QP1-00/ABS	1840	900	360	760	100	φ330	R22.5	普挂车
ATKBAZ13-360QA2-00	510-534	NO	13000	□150	100×56	AT10QP1-00/ABS	1840	900	360	760	100	φ330	R22.5	普挂车
ATKBAZ13S-235QAW1-00	375-399	YES	13000	□150	100×56	AT10QP1-00/ABS	1840	900	235	740	8	φ340	R22.5	危化品车
ATKBAZ13-235QAW1-00	375-399	NO	13000	□150	100×56	AT10QP1-00/ABS	1840	900	235	740	8	φ340	R22.5	危化品车
ATKBAZ13S-268QAW1-00	400-449	YES	13000	□150	100×56	AT10QP1-00/ABS	1840	900	268	740	8	φ330	R22.5	危化品车
ATKBAZ13-268QAW1-00	400-449	NO	13000	□150	100×56	AT10QP1-00/ABS	1840	900	268	740	8	φ330	R22.5	危化品车
ATKBAZ13S-315QAW1-00	450-500	YES	13000	□150	100×56	AT10QP1-00/ABS	1840	900	315	740	8	φ330	R22.5	危化品车
ATKBAZ13-315QAW1-00	450-500	NO	13000	□150	100×56	AT10QP1-00/ABS	1840	900	315	740	8	φ330	R22.5	危化品车

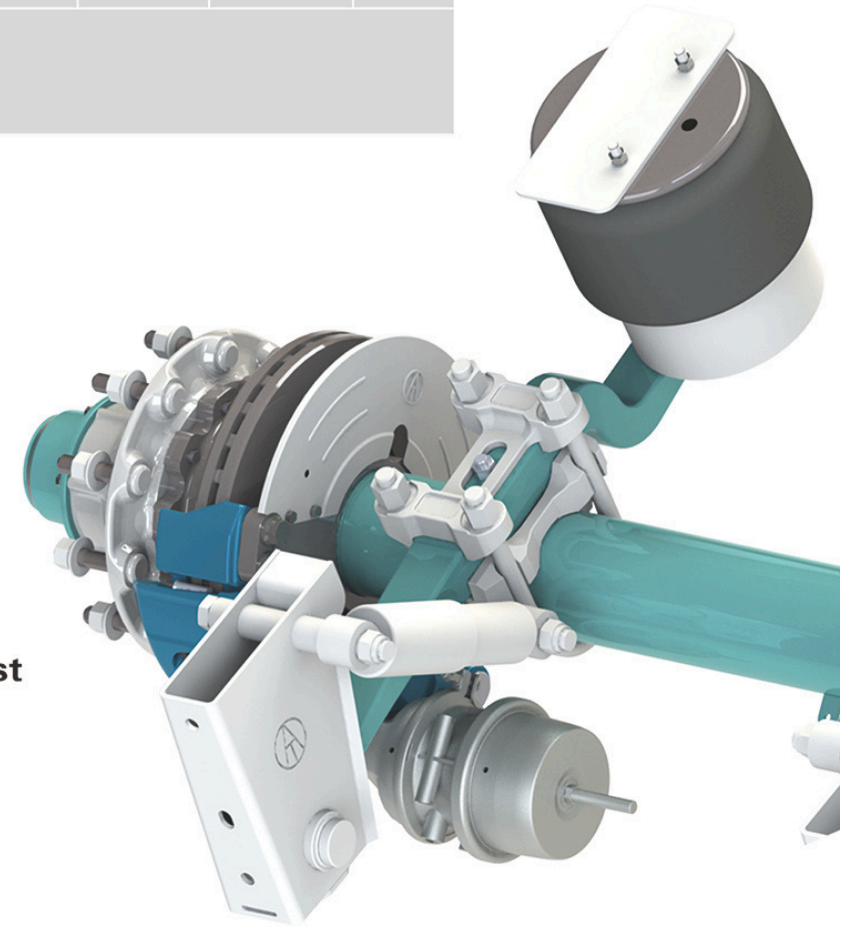
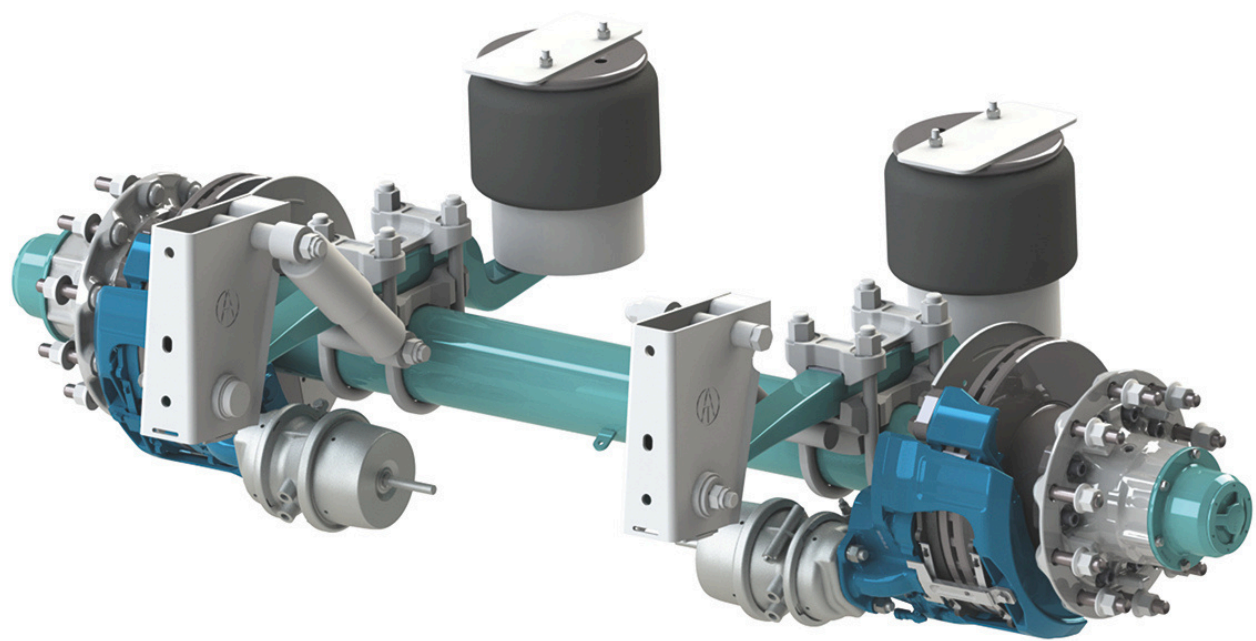
**Φ146 轻量化免维护空气悬挂**      **Lightweight Maintenance Free Air Suspension**

轻量化空气悬挂技术参数表 Lightweight Air Suspension Specification

型号	FH						SP	LM	ST	BM				
	安装高度 允许范围 (mm)	车轴提升	额定载荷	轴管	导向板簧规格	配车轴型号	轮距	悬架中心距	支座孔高 (mm)	气囊中心 距 (mm)	气囊规格	气囊型号	安装钢 圈规格	备注
Item No.	Mounting Height Range	Axle Lifting	Capacity (Kg)	Axle Beam (mm)	Leaf Spring (mm)	Axle Type	Track (mm)	Suspension Center Distance	Abutment Hole Height	Air Bag Center Distance	Air Bag	Air Bag Type	Wheel Rim	Note
	多轴 Multiple Axle													
ATK01A268NN006H11S460R1P00	360-384	NO	10000	Φ146	70×62	AT10RP50M1-00/ABS	1840	900	268	780	φ300	8585	R22.5	危化品车
ATK01A268NN006H11S560R1P00	385-440	NO	10000	Φ146	70×62	AT10RP50M1-00/ABS	1840	900	268	780	φ300	8668	R22.5	危化品车
ATK01A268NN006H03S560R1P00	470-520	NO	10000	Φ146	70×62	AT10RP50M1-00/ABS	1840	900	268	780	φ300	8668	R22.5	危化品车

备注:  
1. 可提供客户需要的轮距SP  
2. 可选配整车升降功能

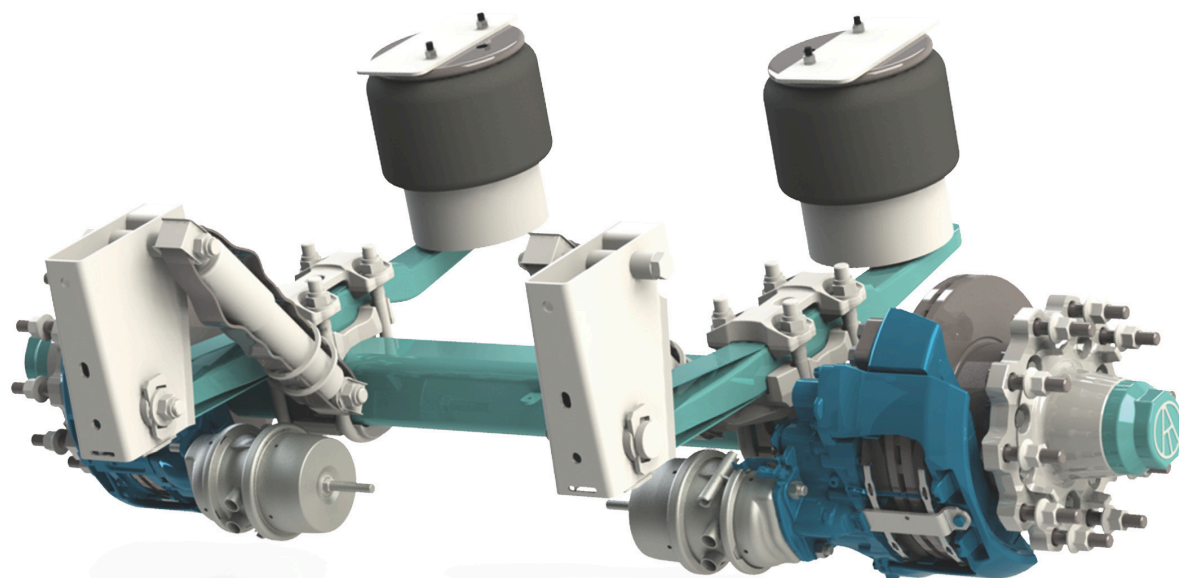
Note:  
1. Special axle track is available on request.  
2. Whole vehicle lifting function is optional.



**Lightweight design**  
**Save fuel efficiently**  
**Reduce maintenance cost**

采用轻量化设计，能够有效降低燃油成本、节省维护费用。

□ 120 德式10T空气悬挂 **Germany 10T Air Suspension**



采用轻量化设计，能够有效降低燃油成本、节省维护费用。

Adopt lightweight design, Greatly reduce fuel cost



**德式10T空气悬挂 Germany 10T Air Suspension Specification**

型号	FH						SP	LM	ST	BM	C			
	安装高度 允许范围 (mm)	车轴提升	额定载荷	轴管	导向板簧规格	配车轴型号	轮距	悬架中心距	支座孔高 (mm)	气囊中心距 (mm)	后支架高度 (mm)	气囊型号	安装钢 圈规格	备注
Item No.	Mounting Height Range	Axle Lifting	Capacity (Kg)	Axle Beam (mm)	Leaf Spring (mm)	Axle Type	Track (mm)	Suspension Center Distance	Abutment Hole Height	Air Bag Center Distance	Rear Hanger Height	Air Bag Type	Wheel Rim	Note
	多轴 Multiple Axle													
ATKLA10-268EB1-00	430-470	NO	10000	□120	70×65	ATD10EP1-00/ABS	1840	900	268	780	6	8585	R22.5	危化品车
ATKLA10-268EB2-00	375-420	NO	10000	□120	70×62	ATD10EP1-00/ABS	1840	900	268	780	6	8668	R22.5	危化品车
ATKLA10-268EB3-00	460-510	NO	10000	□120	70×62	ATD10EP1-00/ABS	1840	900	268	780	6	8668	R22.5	危化品车

备注：  
1. 可提供客户需要的轮距SP。  
2. 可选配整车升降功能。

Note:  
1. Special axle track is available on request.  
2. Whole vehicle lifting function is optional.

### 轮端智能检测空气悬挂参数表

Wheel End Intelligent Detection Air Suspension Specification

型号	FH 安装高度 允许范围 (mm)	车轴提升	额定载荷	轴管	导向板簧规格	配车轴型号	SP 轮距	LM 悬架中心距	ST 支座孔高 (mm)	BM 气囊 中心距 (mm)	C 后支架高度 (mm)	气囊规格	安装钢 圈规格	备注
Item No.	Mounting Height 多轴 Multiple Axle	Axle Lifting	Capacity (Kg)	Axle Beam (mm)	Leaf Spring (mm)	Axle Type	Track (mm)	Suspension Center Distance	Abutment Hole Height	Air Bag Center Distance	Rear Hanger Height	Air Bag	Wheel Rim	Note
ATKBAZ13S-235QA2-00	395-409	YES	13000	□150	100×56	AT10QP1-00/ABS	1840	900	235	760	8	Φ330	R22.5	普挂车
ATKBAZ13-235QA2-00	375-409	NO	13000	□150	100×56	AT10QP1-00/ABS	1840	900	235	760	8	Φ330	R22.5	普挂车
ATKBAZ13S-268QA2-00	410-439	YES	13000	□150	100×56	AT10QP1-00/ABS	1840	900	268	760	8	Φ330	R22.5	普挂车
ATKBAZ13-268QA2-00	410-439	NO	13000	□150	100×56	AT10QP1-00/ABS	1840	900	268	760	8	Φ330	R22.5	普挂车
ATKBAZ13S-315QA2-00	460-485	YES	13000	□150	100×56	AT10QP1-00/ABS	1840	900	315	760	50	Φ330	R22.5	普挂车
ATKBAZ13-315QA2-00	460-485	NO	13000	□150	100×56	AT10QP1-00/ABS	1840	900	315	760	50	Φ330	R22.5	普挂车
ATKBAZ13S-340QA2-00	490-509	YES	13000	□150	100×56	AT10QP1-00/ABS	1840	900	340	760	80	Φ330	R22.5	普挂车
ATKBAZ13-340QA2-00	490-509	NO	13000	□150	100×56	AT10QP1-00/ABS	1840	900	340	760	80	Φ330	R22.5	普挂车
ATKBAZ13S-360QA2-00	510-534	YES	13000	□150	100×56	AT10QP1-00/ABS	1840	900	360	760	100	Φ330	R22.5	普挂车
ATKBAZ13-360QA2-00	510-534	NO	13000	□150	100×56	AT10QP1-00/ABS	1840	900	360	760	100	Φ330	R22.5	普挂车
ATKBAZ13S-235QAW1-00	375-399	YES	13000	□150	100×56	AT10QP1-00/ABS	1840	900	235	740	8	Φ340	R22.5	危化品车
ATKBAZ13-235QAW1-00	375-399	NO	13000	□150	100×56	AT10QP1-00/ABS	1840	900	235	740	8	Φ340	R22.5	危化品车
ATKBAZ13S-268QAW1-00	400-449	YES	13000	□150	100×56	AT10QP1-00/ABS	1840	900	268	740	8	Φ330	R22.5	危化品车
ATKBAZ13-268QAW1-00	400-449	NO	13000	□150	100×56	AT10QP1-00/ABS	1840	900	268	740	8	Φ330	R22.5	危化品车
ATKBAZ13S-315QAW1-00	450-500	YES	13000	□150	100×56	AT10QP1-00/ABS	1840	900	315	740	8	Φ330	R22.5	危化品车
ATKBAZ13-315QAW1-00	450-500	NO	13000	□150	100×56	AT10QP1-00/ABS	1840	900	315	740	8	Φ330	R22.5	危化品车

备注:

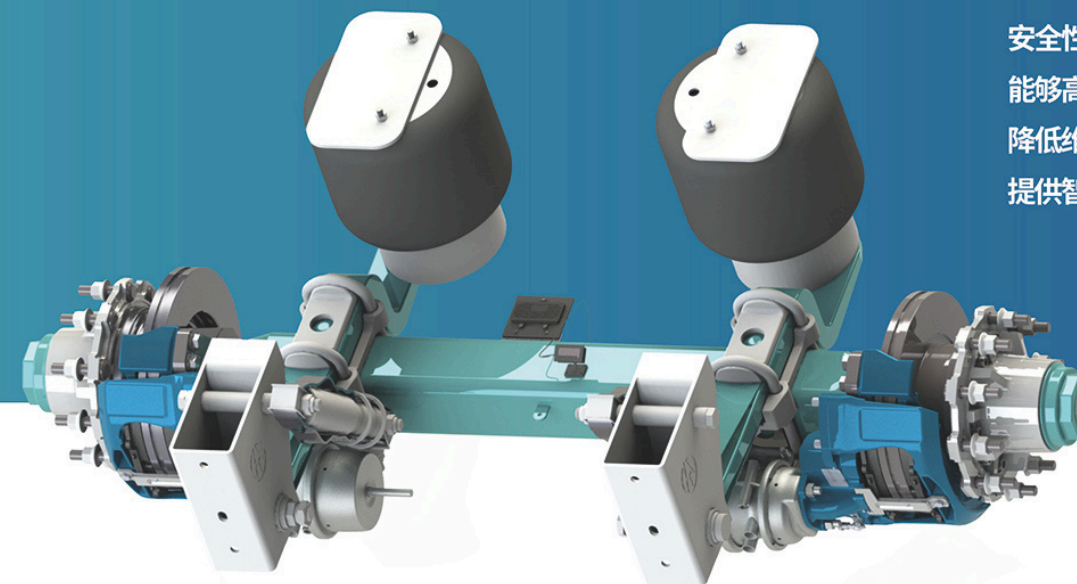
1. 可提供客户需要的轮距SP
2. 可选配50万公里免维护轮端
3. 可选配前桥手动提升或驾驶室操作
4. 可选配整车升降功能

Note:

1. Special axle track is available on request.
2. Wheel end of 500,000 kms maintenance free is optional.
3. Manual operation or automatic operation of axle lifting is optional.
4. Whole vehicle lifting function is optional.

Safe, Saving fuel, Stable

## Wheel End Intelligent Detection Air Suspension □150 轮端智能检测空气悬挂

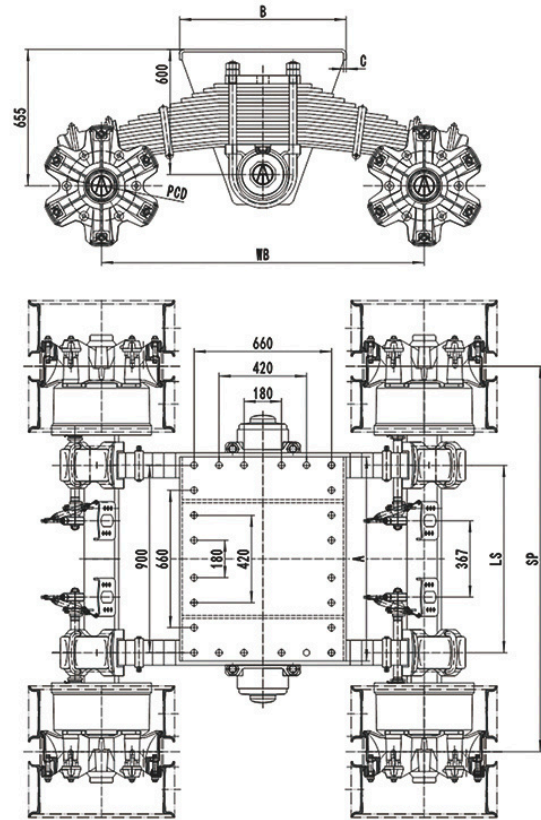


安全性、稳定性强、  
能够高效节省燃油，  
降低维护成本给安全行驶  
提供智能数据支持保障。

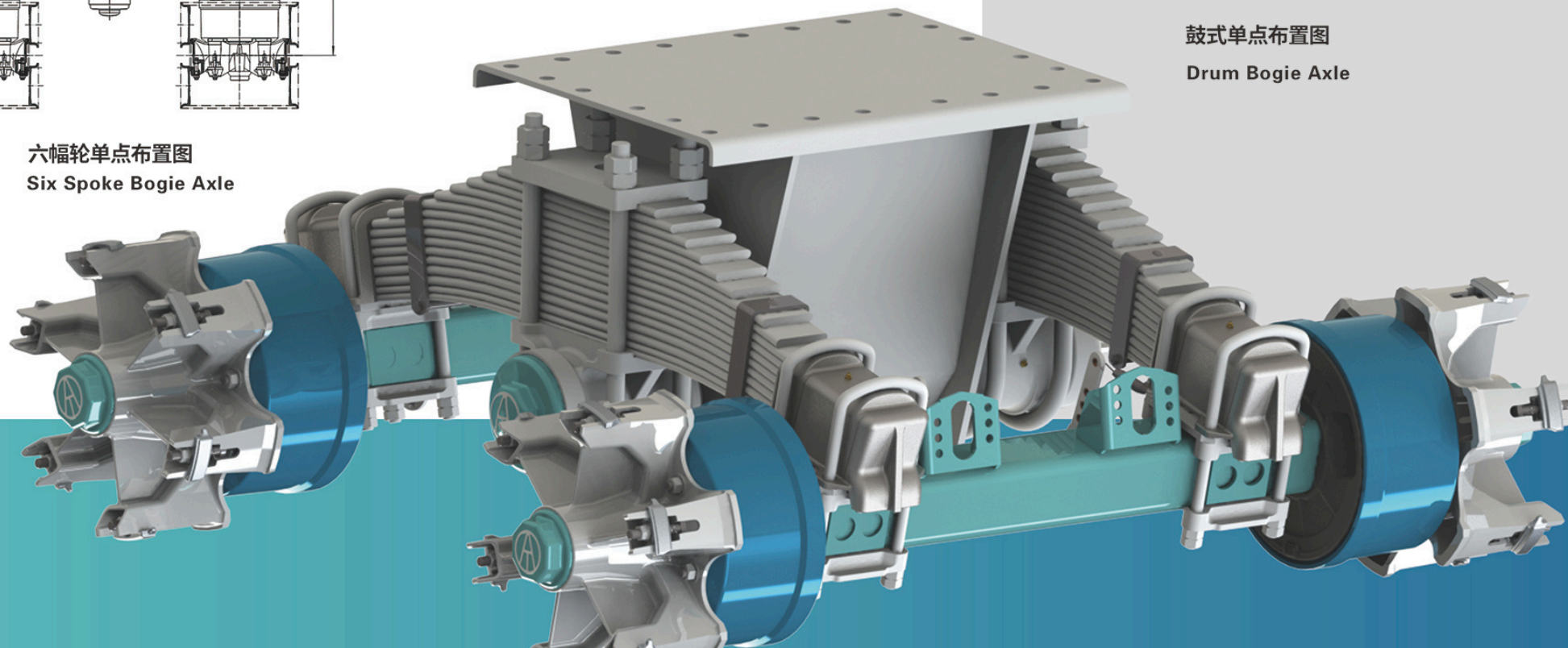
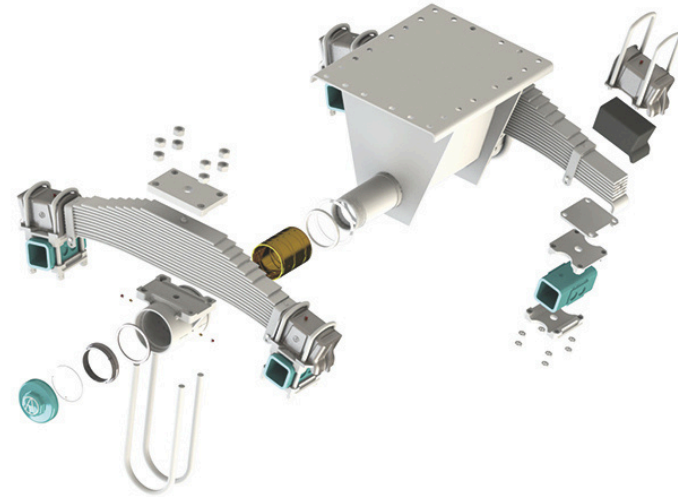


## Bogie Axle Advantages | 单点悬挂特点

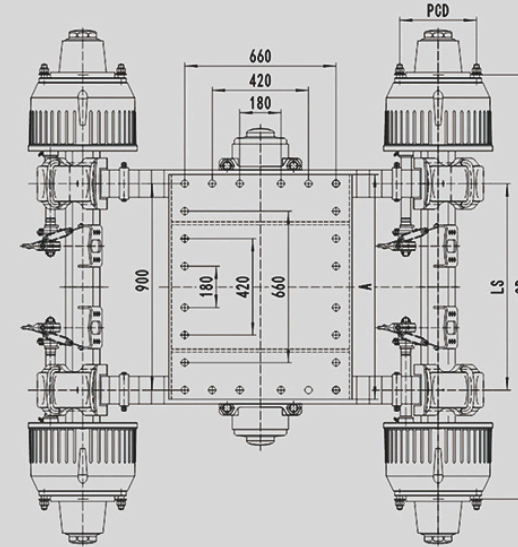
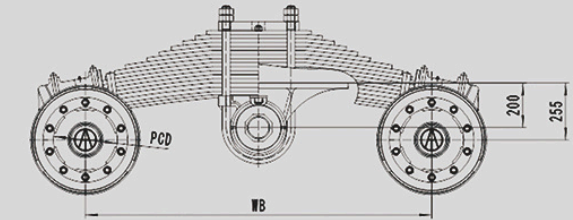
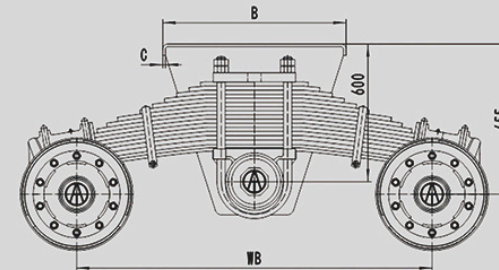
- 使得车辆在各种路况中平稳行驶  
Vehicle runs smoothly in various road conditions



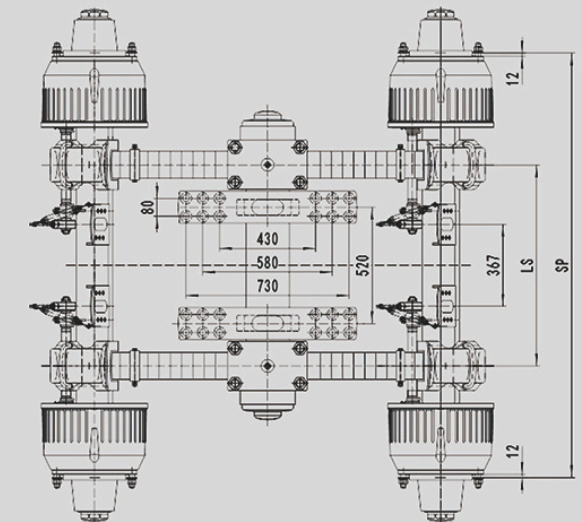
六幅轮单点布置图  
Six Spoke Bogie Axle



## Bogie Axle | 单点悬挂



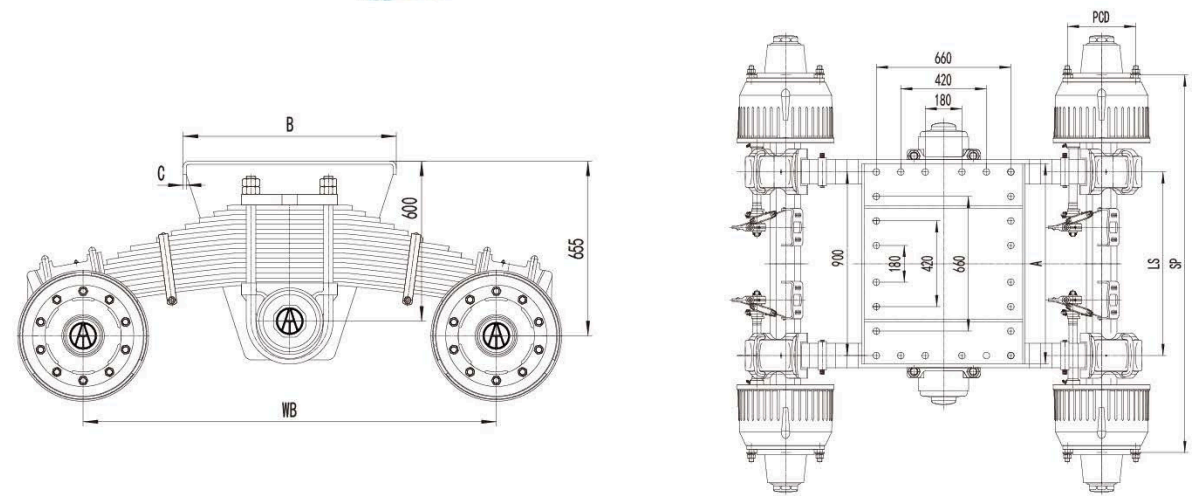
鼓式单点布置图  
Drum Bogie Axle



低台单点布置图  
Low Mounting Bogie Axle



# Germany Drum Bogie



## Germany Drum Bogie Specification

Item No.	Capacity (Kg)	Bearing	Track (mm)	Axle Beam (mm)	Wheel Base (mm)	Leaf Spring Center Distance (mm)	Spring Width /QTY (mm)	Panel Dimension (mm)	Brake Size(mm)	Wheel Fixing	Studs (mm)	Recommend Wheel Rim
AT24DXA1-00	24000	33213 33118	1840	□150	1400	900	90×18	980×700×12	Φ420×180	Φ335	10-M22×1.5	7.5V-20
AT24DXA2-00	24000	33213 33118	1840	□150	1400	900	90×18	980×700×12	Φ420×200	Φ335	10-M22×1.5	7.5V-20
AT24DXB2-00	24000	33213 33118	1840	□150	1400	980	90×18	1060×700×12	Φ420×200	Φ335	10-M22×1.5	7.5V-20
AT28DXA2-00	28000	33215 32219	1840	□150	1550	900	120×19	980×800×12	Φ420×200	Φ335	10-M22×1.5	8.0V-20
AT32DXA2-00	32000	32314 32222	1850	□150	1550	900	120×17	980×800×12	Φ420×200	Φ335	10-M22×1.5	8.0V-20

## 鼓式单点悬挂技术参数表 Drum Bogie Axle Specification

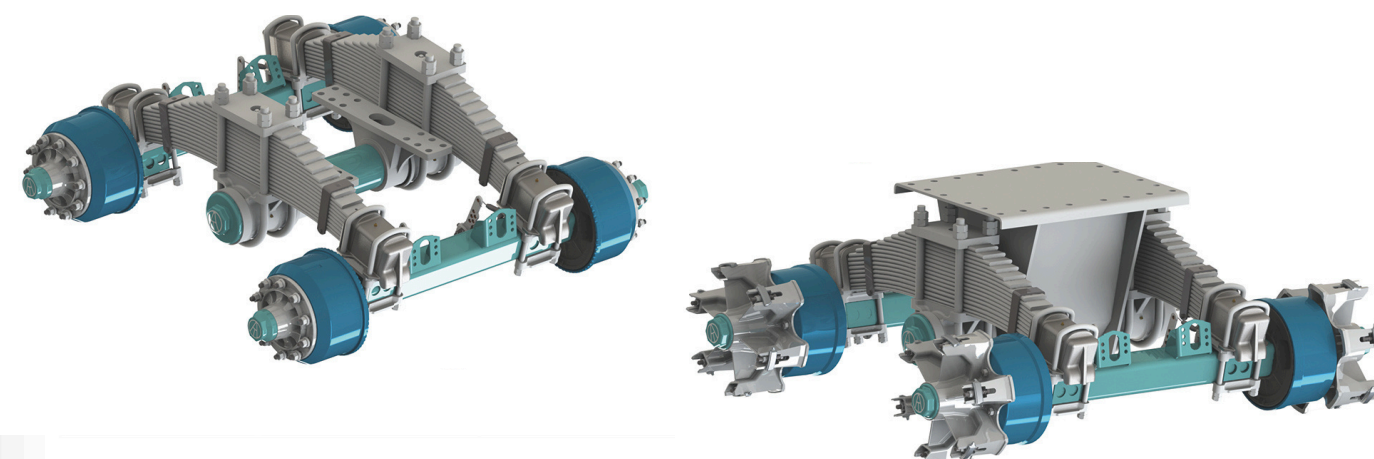
型号	额定载荷 (Kg)	轴承	SP 轮距 (包含钢圈)	轴管规格	WB 轴距 (mm)	LS 板簧间距 (mm)	板簧宽度/片数	A×B×C 工作台长宽厚	制动器规格	PCD 轮辋配合尺寸	连接螺栓 (mm)	使用轮辋
Item No.	Capacity (Kg)	Bearing	Track (mm)	Axle Beam (mm)	Wheel Base (mm)	Leaf Spring Center Distance (mm)	Spring Width /QTY (mm)	Panel Dimension (mm)	Brake Size (mm)	Wheel Fixing	Studs (mm)	Recommend Wheel Rim
AT24DXA1-00	24000	33213 33118	1840	□150	1400	900	90×18	980×700×12	Φ420×180	Φ335	10-M22×1.5	7.5V-20
AT24DXA2-00	24000	33213 33118	1840	□150	1400	900	90×18	980×700×12	Φ420×200	Φ335	10-M22×1.5	7.5V-20
AT24DXB2-00	24000	33213 33118	1870	□150	1400	980	90×18	1060×700×12	Φ420×200	Φ335	10-M22×1.5	7.5V-20
AT28DXA2-00	28000	33215 32219	1840	□150	1550	900	120×19	980×800×12	Φ420×200	Φ335	10-M22×1.5	8.0V-20
AT32DXA2-00	32000	32314 32222	1850	□150	1550	900	120×17	980×800×12	Φ420×200	Φ335	10-M22×1.5	8.0V-20

## 低台悬挂技术参数表 Low Mounting Bogie Axle Specification

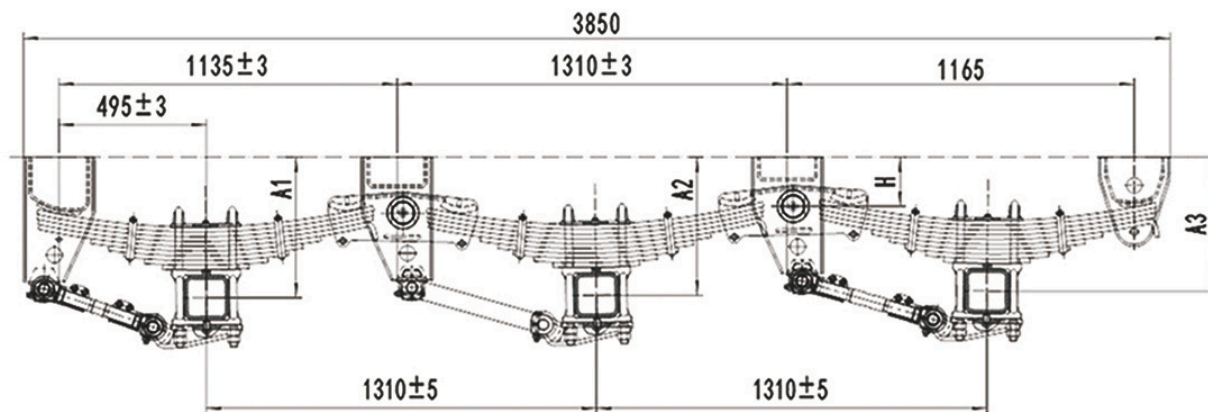
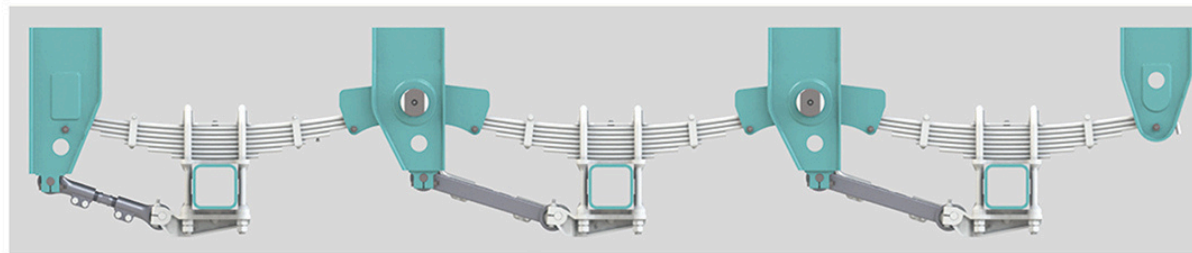
型号	额定载荷 (Kg)	轴承	SP 轮距 (包含钢圈)	轴管规格	WB 轴距 (mm)	LS 板簧间距 (mm)	板簧宽度/片数	制动器规格	PCD 轮辋配合尺寸	连接螺栓 (mm)	使用轮辋
Item No.	Capacity (Kg)	Bearing	Track (mm)	Axle Beam (mm)	Wheel Base (mm)	Leaf Spring Center Distance (mm)	Spring Width /QTY (mm)	Brake Size (mm)	Wheel Fixing	Studs (mm)	Recommend Wheel Rim
AT24DDA1-00	24000	33213 33118	1870	□150	1400	980	90×18	Φ420×200	Φ335	10-M22×1.5	7.5V-20
AT28DDA1-00	28000	33215 32219	1840	□150	1550	900	120×19	Φ420×200	Φ335	10-M22×1.5	8.0V-20
AT32DDA1-00	32000	32314 32222	1850	□150	1550	900	120×17	Φ420×200	Φ335	10-M22×1.5	8.0V-20
AT24DDX1-00	24000	33213 33118	1870	□150	1400	980	90×18	Φ420×200	Φ335	6-M20×2	8.5-24
AT28DDX1-00	28000	33215 32219	1840	□150	1550	900	120×19	Φ420×200	Φ335	6-M20×2	8.5-24
AT32DDX1-00	32000	32314 32222	1850	□150	1550	900	120×17	Φ420×200	Φ335	6-M20×2	8.5-24

## 六辐轮单点悬挂技术参数表 Germany Six Spoke Bogie Axle Specification

型号	额定载荷 (Kg)	轴承	SP 轮距 (包含钢圈)	轴管规格	WB 轴距 (mm)	LS 板簧间距 (mm)	板簧宽度/片数	A×B×C 工作台长宽厚	制动器规格	PCD 轮辋配合尺寸	连接螺栓 (mm)	使用轮辋
Item No.	Capacity (Kg)	Bearing	Track (mm)	Axle Beam (mm)	Wheel Base (mm)	Leaf Spring Center Distance (mm)	Spring Width /QTY (mm)	Panel Dimension (mm)	Brake Size (mm)	Wheel Fixing	Studs (mm)	Recommend Wheel Rim
AT24DXS1-00	24000	33213 33118	1840	□150	1400	900	90×18	980×700×12	Φ420×200	Φ335	6-M20×2	8.50V-24 147-24
AT24DXS2-00	24000	33213 33118	1870	□150	1400	980	90×18	1060×700×12	Φ420×200	Φ335	6-M20×2	8.50V-24 147-24
AT28DXS1-00	28000	33215 32219	1840	□150	1550	900	120×19	980×800×12	Φ420×200	Φ335	6-M20×2	8.50V-24 147-24
AT32DXS1-00	32000	32314 32222	1850	□150	1550	900	120×17	980×800×12	Φ420×200	Φ335	6-M20×2	8.50V-24 147-24



## 美式机械悬挂 America Mechanical Suspension



13T×3 三轴悬挂系列 13T×3 America Tri-Axle Mechanical Suspension Specification							
悬挂型号	牵引座高度	板簧规格: 片数×片厚×片宽	A1 (mm)	A2 (mm)	A3 (mm)	H (mm)	承载能力
Item No.	Height of Fifth Wheel (mm)	Pcs×Thickness×Width (mm)	空载 Unladen	空载 Unladen	空载 Unladen		Capacity (T)
ATMX8803-00/183	1180	9×16×90	455	446	433	183	13×3
ATMX8803-00/223	1220	9×16×90	495	486	473	223	13×3
ATMX8803-00/253	1250	9×16×90	525	516	503	253	13×3
ATMX8803-00/164	1180	9×16×90	436	427	414	164	13×3
ATMX8803-00/204	1220	9×16×90	476	467	454	204	13×3
ATMX8803-00/234	1250	9×16×90	506	497	484	234	13×3

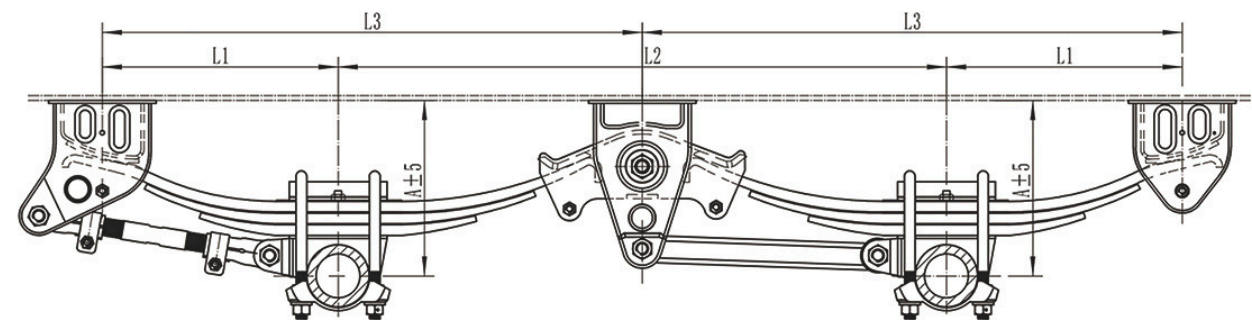
16T×3 三轴悬挂系列 16T×3 America Tri-Axle Mechanical Suspension Specification							
悬挂型号	牵引座高度	板簧规格: 片数×片厚×片宽	A1 (mm)	A2 (mm)	A3 (mm)	H (mm)	承载能力
Item No.	Height of Fifth Wheel (mm)	Pcs×Thickness×Width (mm)	空载 Unladen	空载 Unladen	空载 Unladen		Capacity (T)
ATMX8603-00/183	1180	9×16×90	489	480	467	183	16×3
ATMX8603-00/223	1220	9×16×90	529	520	507	223	16×3
ATMX8603-00/253	1250	9×16×90	559	550	537	253	16×3
ATMX8603-00/164	1180	9×16×90	470	461	448	164	16×3
ATMX8603-00/204	1220	9×16×90	510	501	488	204	16×3
ATMX8603-00/234	1250	9×16×90	540	531	518	234	16×3

### 13T×2 二轴悬挂系列 13T×2 America Tandem-Axle Mechanical Suspension Specification

悬挂型号	牵引座高度	板簧规格: 片数×片厚×片宽	A1 (mm)	A2 (mm)	H (mm)	承载能力
Item No.	Height of Fifth Wheel (mm)	Pcs×Thickness×Width (mm)	空载 Unladen	空载 Unladen		Capacity (T)
ATMX8802-00/183	1180	9×16×90	441	433	183	13×2
ATMX8802-00/223	1220	9×16×90	481	473	223	13×2
ATMX8802-00/253	1250	9×16×90	511	503	253	13×2
ATMX8802-00/164	1180	9×16×90	422	414	164	13×2
ATMX8802-00/204	1220	9×16×90	462	454	204	13×2
ATMX8802-00/234	1250	9×16×90	492	484	234	13×2
ATMX8802-00/333	1180	9×16×90	591	583	333	13×2

### 16T×2 二轴悬挂系列 16T×2 America Tandem-Axle Mechanical Suspension Specification

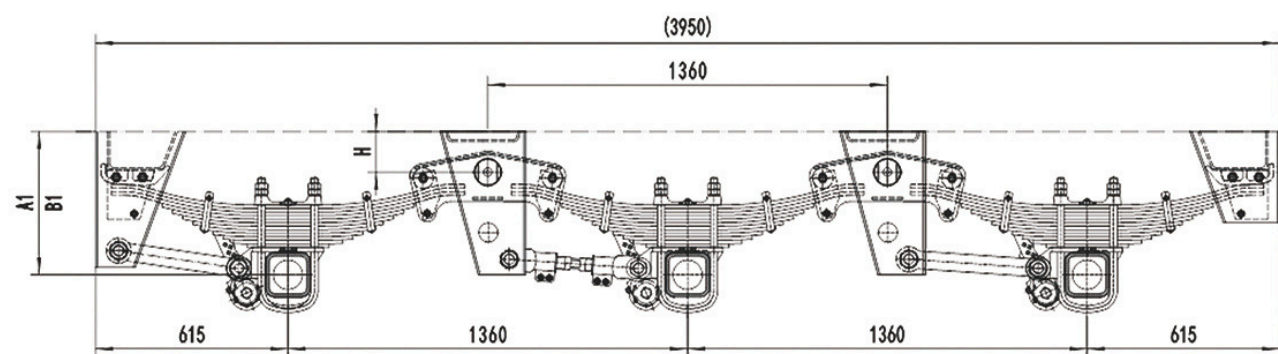
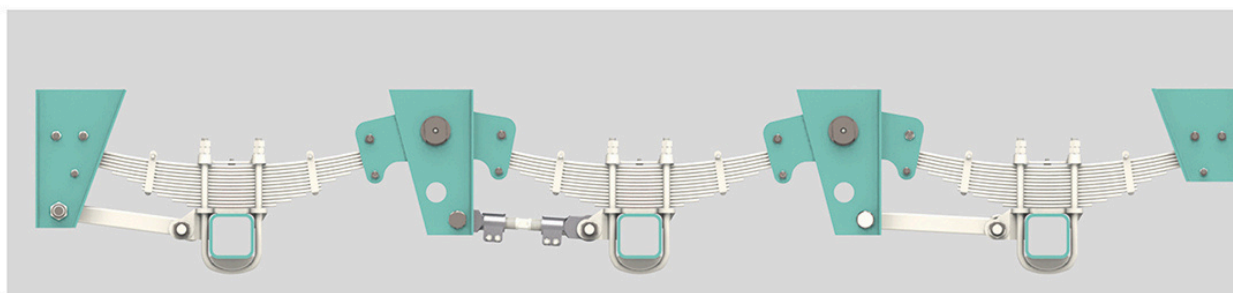
悬挂型号	牵引座高度	板簧规格: 片数×片厚×片宽	A1 (mm)	A2 (mm)	H (mm)	承载能力
Item No.	Height of Fifth Wheel (mm)	Pcs×Thickness×Width (mm)	空载 Unladen	空载 Unladen		Capacity (T)
ATMX8602-00/183	1180	9×16×90	473	465	183	16×2
ATMX8602-00/223	1220	9×16×90	513	505	223	16×2
ATMX8602-00/253	1250	9×16×90	543	535	253	16×2
ATMX8602-00/164	1180	9×16×90	454	446	164	16×2
ATMX8602-00/204	1220	9×16×90	494	486	204	16×2
ATMX8602-00/234	1250	9×16×90	524	516	234	16×2



美式机械悬挂布置图  
America Mechanical Suspension

二轴悬挂技术参数表 America Tandem-Axle Mechanical Suspension Specification					
型号	A (mm)	L1 (mm)	L2 (mm)	L3 (mm)	承载能力 (kg)
Item No.					Capacity (T)
AT-BM/1245/390/AR5/3L	390	482.5	1245	1105	10000X2
AT-BM/1245/415/AR5/3L	415	482.5	1245	1105	10000X2
AT-BM/1245/440/AR5/3L	440	482.5	1245	1105	10000X2

## 德式机械悬挂 Germany Mechanical Suspension

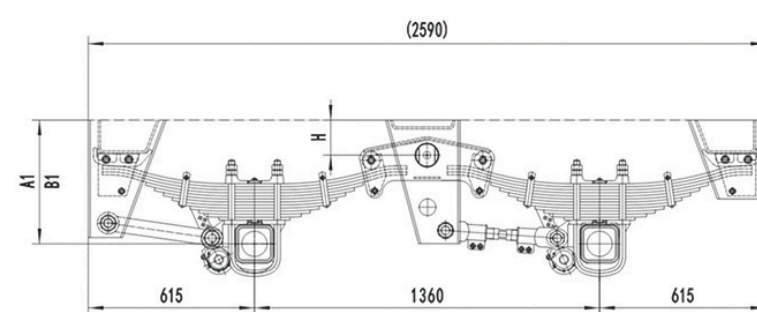


德式三轴机械悬挂布置图  
Germany Tri-Axle Mechanical Suspension

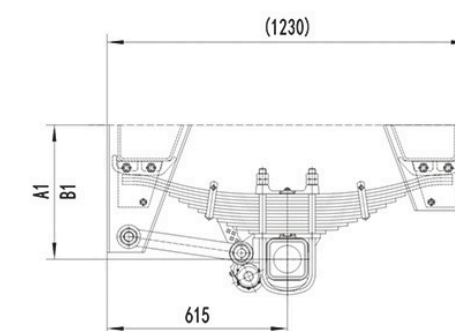
悬挂型号	A1 (mm) 空载	B1 (mm) 满载	H (mm)	板簧规格: 片数×片厚×片宽×长度	前支架侧板厚 (mm)	中支架侧板厚 (mm)	后支架侧板厚 (mm)	平衡梁侧板厚 (mm)	承载能力
Item No.	Unladen	Laden		Pcs×Thickness×Width×Length (mm)	Front Hanger Thickness	Equaliser Hanger Thickness	Rear Hanger Thickness	Equalizer Thickness	Axle Load (T)
AT36XA1-00	486	456	138	12×12×100×1200	8	8	10	8	12×3
AT36XA2-00	486	456	138	12×12×100×1200	10	10	10	10	12×3
AT42XA0-00	486	456	138	12×12×100×1200	10	10	10	10	14×3
AT42XA1-00	486	456	138	12×12×100×1200	8	8	10	8	14×3
AT48XA0-00	511	481	138	14×12×100×1200	8	8	10	8	16×3
AT48XA1-00	511	481	138	14×12×100×1200	10	10	10	12	16×3

悬挂型号	A1 (mm) 空载	B1 (mm) 满载	H (mm)	板簧规格: 片数×片厚×片宽×长度	前支架侧板厚 (mm)	中支架侧板厚 (mm)	后支架侧板厚 (mm)	平衡梁侧板厚 (mm)	承载能力
Item No.	Unladen	Laden		Pcs×Thickness×Width×Length (mm)	Front Hanger Thickness	Equaliser Hanger Thickness	Rear Hanger Thickness	Equalizer Thickness	Axle Load (T)
AT24XA1-00	486	456	138	12×12×100×1200	8	8	10	8	12×2
AT24XA2-00	486	456	138	12×12×100×1200	10	10	10	10	12×2
AT28XA0-00	486	456	138	12×12×100×1200	10	10	10	10	14×2
AT28XA1-00	486	456	138	12×12×100×1200	8	8	10	8	14×2
AT32XA0-00	511	481	138	14×12×100×1200	8	8	10	8	16×2
AT32XA1-00	511	481	138	14×12×100×1200	10	10	10	12	16×2

悬挂型号	A1 (mm) 空载	B1 (mm) 满载	H (mm)	板簧规格: 片数×片厚×片宽×长度	前支架侧板厚 (mm)	中支架侧板厚 (mm)	后支架侧板厚 (mm)	平衡梁侧板厚 (mm)	承载能力
Item No.	Unladen	Laden		Pcs×Thickness×Width×Length (mm)	Front Hanger Thickness	Equaliser Hanger Thickness	Rear Hanger Thickness	Equalizer Thickness	Axle Load (T)
AT12XA1-00	486	456	138	12×12×100×1200	8	8	10	8	12
AT12XA2-00	486	456	138	12×12×100×1200	10	10	10	10	12
AT14XA0-00	486	456	138	12×12×100×1200	10	10	10	10	14
AT14XA1-00	486	456	138	12×12×100×1200	8	8	10	8	14
AT16XA0-00	511	481	138	14×12×100×1200	8	8	10	8	16
AT16XA1-00	511	481	138	14×12×100×1200	10	10	10	12	16



德式二轴机械悬挂布置图  
Germany Tandem-Axle Mechanical Suspension



德式一轴机械悬挂布置图  
Germany Single-Axle Mechanical Suspension

零部件产品 Spare Parts

Repair Kits 修理包



板簧  
Spring



单气室  
Air Chamber



锁具1  
Twist Lock



德式调整臂  
Germany Slack Adjuster



美式轮毂  
America Hub



支腿  
Landing Gear



转盘  
Turntable



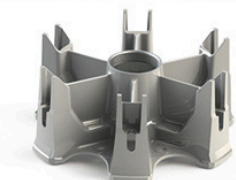
装配式牵引销  
Assembling King Pin



焊接式牵引销  
Welding King Pin



牵引座  
Fifth Wheel



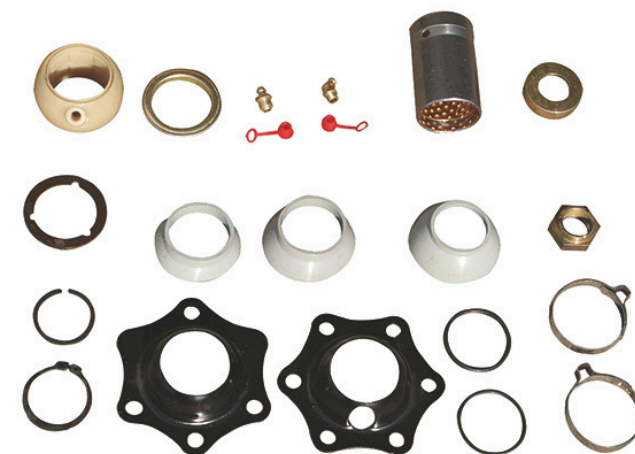
六辐轮毂  
Six Spoke Hub



德式凸轮轴  
Germany S-Camshaft



美式凸轮轴  
America S-Camshaft



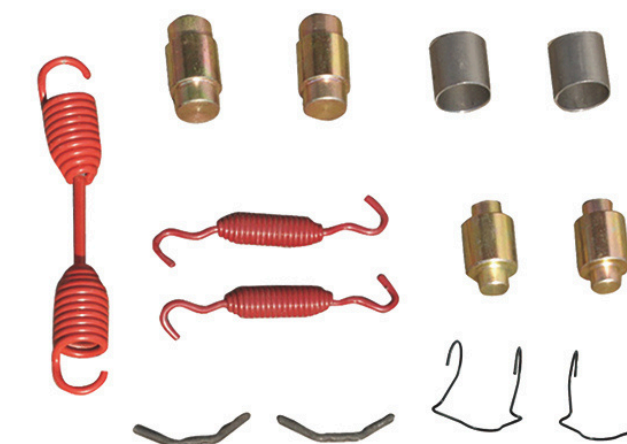
德式凸轮轴修理包  
Camshaft Repair Kits for Germany Axle



美式凸轮轴修理包  
Camshaft Repair Kits for America Axle



德式制动蹄修理包  
Brake Shoe Repair Kits for Germany Axle



美式制动蹄修理包  
Brake Shoe Repair Kits for America Axle



制动鼓  
Brake Drum



德式制动蹄铁  
Germany Brake Shoe



美式制动蹄铁  
America Brake Shoe